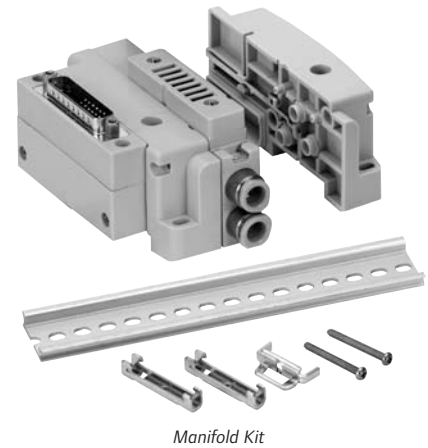
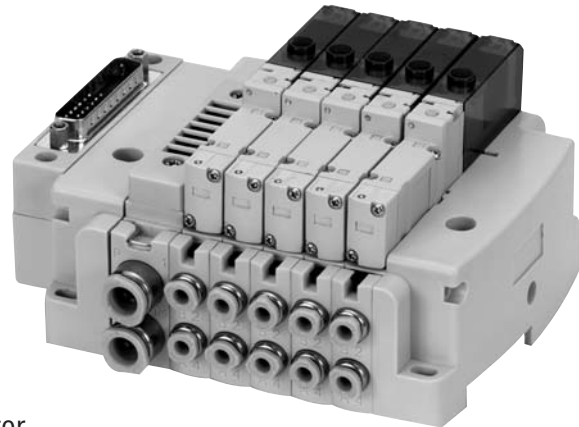


Features

- Push-In Fitting Standard 5/32" , 1/4" inlet
- High speed responsiveness and flow
- Less than 12ms response time
- Low power consumption
- Compact and High Flow Rate
- Plug In Valve
 - No wiring needed for installation
- Modular Type Manifold
- Each base is installed individually, so adding or removing another base is simple.
- Wiring Method
 - Usage of D-Sub connector, or Flat Cable connector, Substitute the D-Sub connector and Flat Cable connector with ease
- Safety
 - RoHS, UL, (In process of receiving CE mark.)
- Easy to add SUP/EXH Blocks
 - There is no limit to the addition of SUP/EXH Blocks
 - It can be applied for dual pressure & back pressure applications.



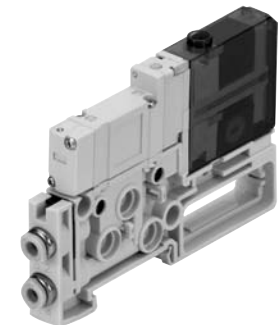
Manifold Kit

Performance Specifications

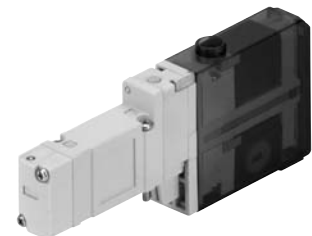
Operating Pressures	
2-Position Single	21.8 to 101.5 p.s.i. (1.5 -7.0 bar)
2-Position Double	14.5 to 101.5 p.s.i. (1.0 -7.0 bar)
3-Position Double	29.0 to 101.5 p.s.i.(2.0 -7.0 bar)
Operating Medium	Compressed Air only
Temperature	23° to 122° F (-5° tp 50° C)
Coil Voltage	12, 24 VDC (± 10%)
Power Consumption	085 Watts
Flow	0.22 Cv (4.0mmÇ)

Ordering

Valve Action	Valve on Manifold	Valve Only
4-Way 2 Position		
Single Solenoid 12 VDC	TP12C4S-012-M	TP12C4S-012-V
Single Solenoid 24 VDC	TP12C4S-024-M	TP12C4S-024-V
Double Solenoid 12 VDC	TP12C4D-012-M	TP12C4D-012-V
Double Solenoid 24 VDC	TP12C4D-024-M	TP12C4D-024-V
4-Way 3 Position (all ports blocked)		
Double Solenoid 12 VDC	TP13C4D-012-M	TP13C4D-012-V
Double Solenoid 24 VDC	TP13C4D-024-D	TP13C4D-024-V



Valve on Manifold



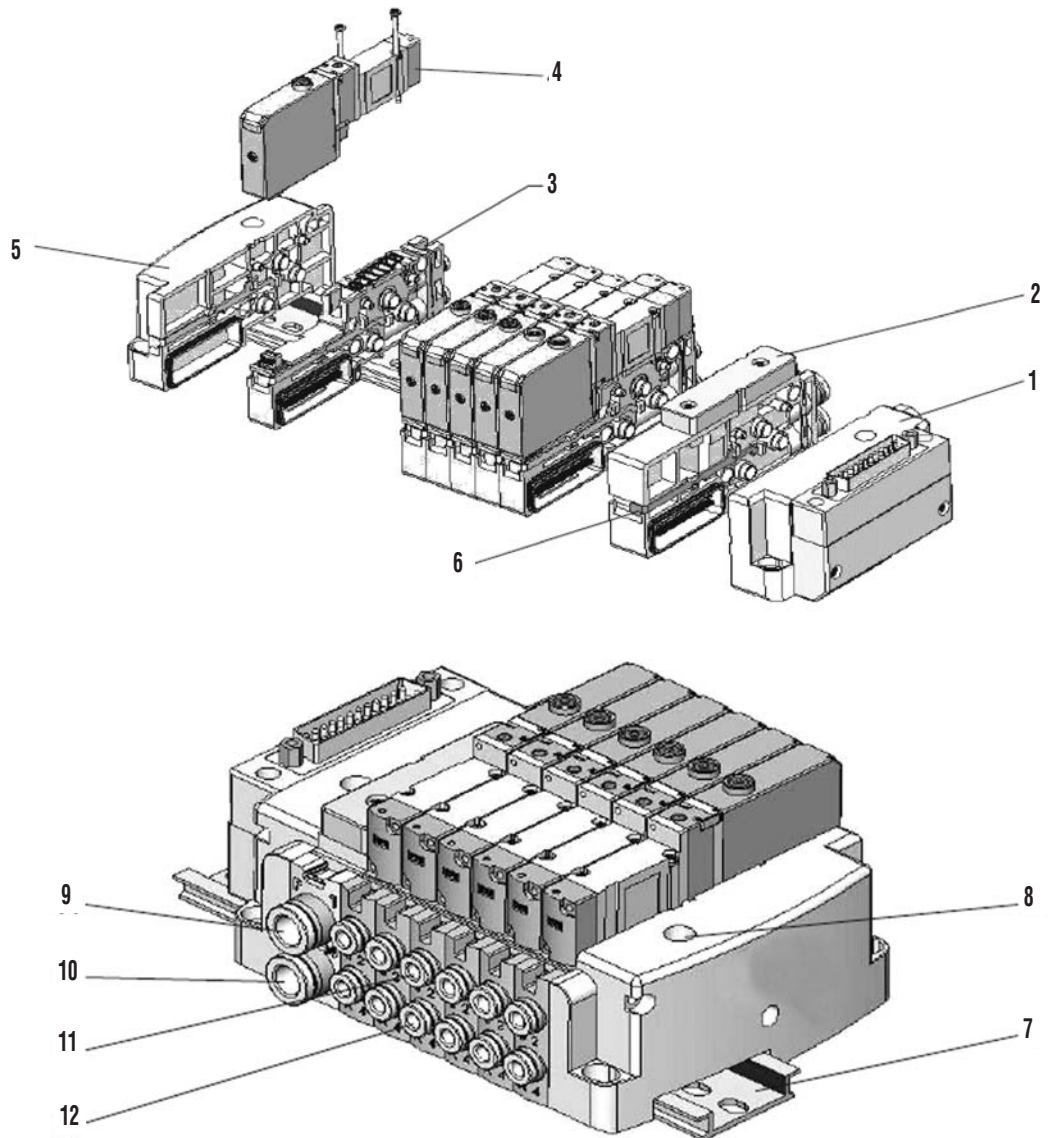
Valve Only

- 114829 25 Pin Manifold Kit
- 114836 26 Pin Manifold Kit
- 114840 Supply/Exh Block
- 114839 Din Rail

Manifold Kit includes: 2-End Caps, 1-Supply/Exh block and 1-Din Rail (10 station)

Assembly Instructions

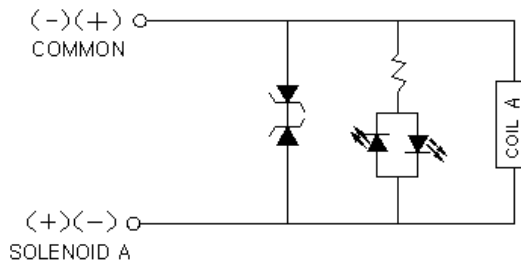
- 1 End Plate
- 2 Supply Exhaust Block
- 3 Base
- 4 Valve
- 5 End Plate
- 6 Locking Clip
- 7 DIN Rail
- 8 DIN Rail Screw
- 9 "P" Port
- 10 "R" Port
- 11 "B" Port
- 12 "A" Port



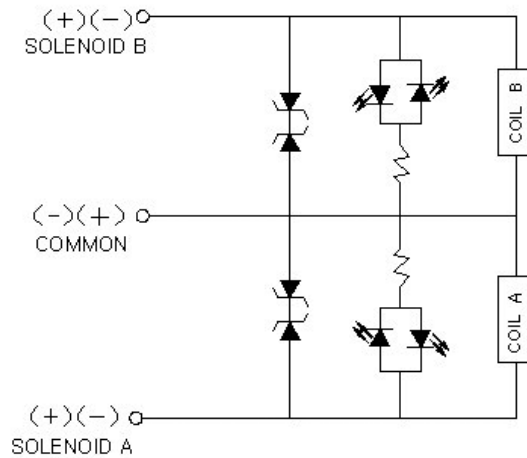
1. Before assemble, check for proper alignment of five "O" rings and (7) gasket.
 2. The (8) metal locking clip should be fully extended out before assembling.
 3. Position the (4) valves in the desired location in the stack. Align pins with sockets and push together. Slide the (8) metal locking clip into place to lock the 2 units together. Continue this procedure until all valve manifolds have been connected. Manifold Kit Attachment includes: two (1 and 6) end plates, (2) supply / exhaust block and (9) 1 - 10 DIN rail.
 4. Attach the (2) supply / exhaust block to the end of the stack and lock into place using the (8) metal locking clip.
 5. Align the (1) end plate to the (2) supply / exhaust block and lock into place using the (8) metal locking clip.
 6. Align the (6) end plate to the opposite end and lock into place using the (8) metal locking clip.
 7. Slide the (9) DIN rail onto the underside of the valve stack into the desired location. Tighten one (10) screw on top of each end plate. NOTE: (9) DIN rails may be cut to size.
To replace a (4) valve unit without disturbing the valve stack: Loosen and remove two (5) screws located on top of valve. Pull up on (4) valve to remove. Align the electrical connection on the end of the valve with the manifold socket. Align and tighten (4) screws.
- NOTE:** Ten (4) valves per stack maximum.
The (8) metal locking clip must be extended out before assembly to prevent bending of clip.
Voltages cannot be mixed on the valve stack

Valve Circuits

1. Common
2. Solenoid "A"
3. Solenoid "B"
4. 1st Station
5. 2nd Station
6. 3rd Station
7. 11th Station
8. 12th Station



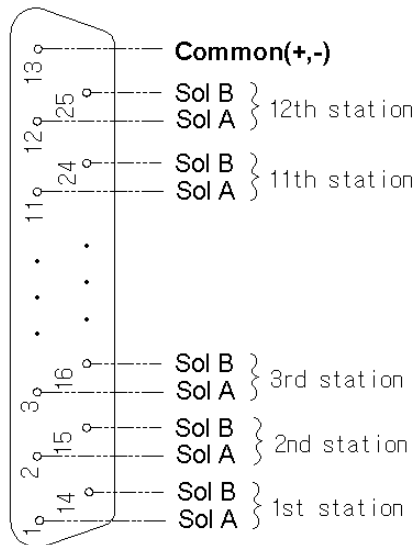
<Single Circuits>



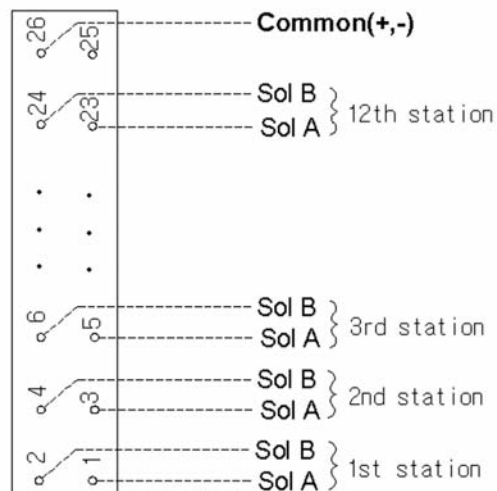
<Double Circuits>

Manifold Electrical Arrangement

D_Sub Connector type

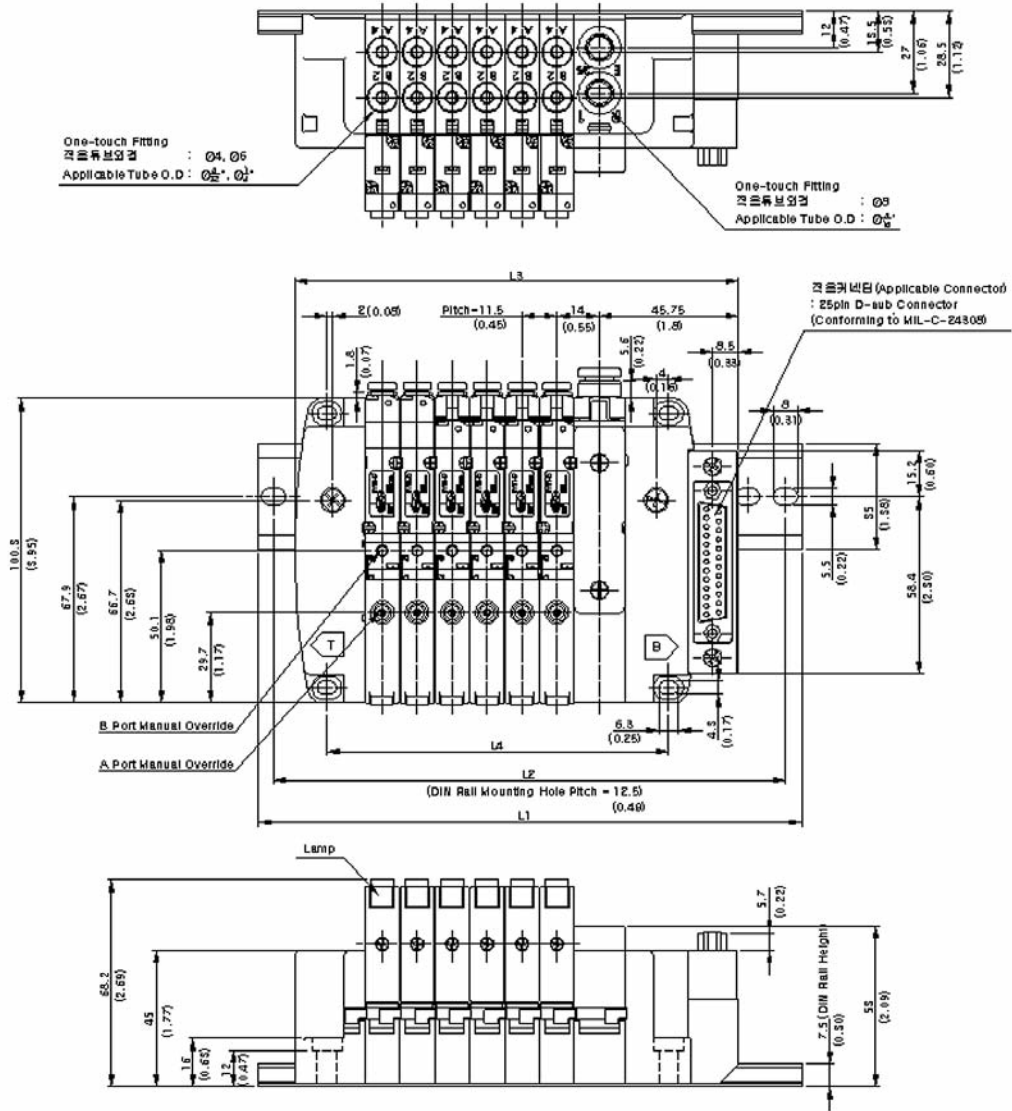


Flat Cable Connector type



Dimensional Data

25 Pin Sub-D Connector

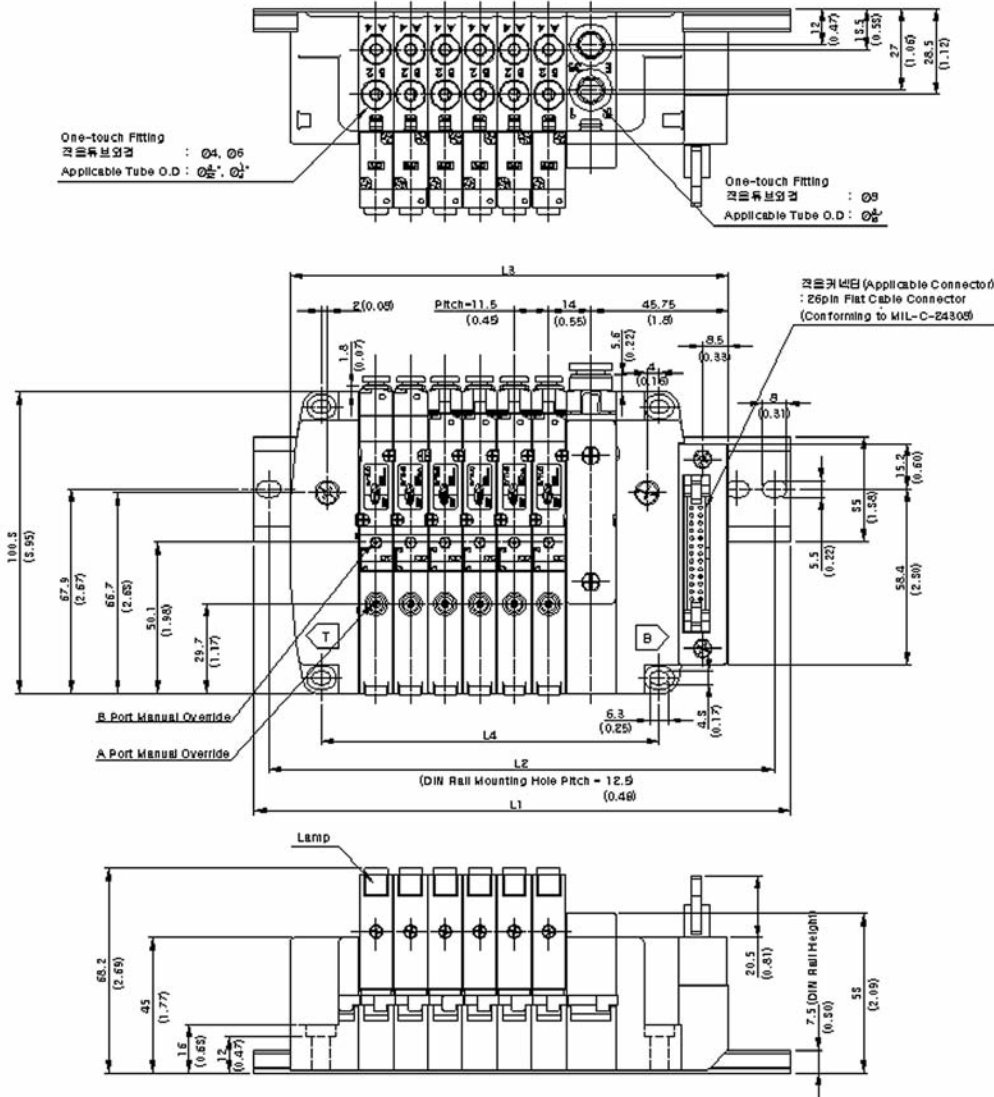


L ⁿ	2	3	4	5	6	7	8	9	10	11	12
L1	5.83 (148)	6.32 (160.5)	6.81 (173)	7.30 (185.5)	7.80 (198)	8.29 (210.5)	8.78 (223)	9.27 (235.5)	9.76 (248)	10.26 (260.5)	10.75 (273)
L2	5.41 (137.5)	5.91 (150)	6.40 (162.5)	6.89 (175)	7.38 (187.5)	7.87 (200)	8.37 (212.5)	8.86 (225)	9.35 (237.5)	9.84 (250)	10.33 (262.5)
L3	3.94 (100)	4.39 (111.5)	4.84 (123)	5.30 (134.5)	5.75 (146)	6.20 (157.5)	6.65 (169)	7.11 (180.5)	7.56 (192)	8.01 (203.5)	8.46 (215)
L4	2.62 (66.5)	3.07 (78)	3.52 (89.5)	3.98 (101)	4.43 (112.5)	4.88 (124)	5.33 (135.5)	5.79 (147)	6.24 (158.5)	6.69 (170)	7.15 (181.5)

L3, L4 Sup/Exh Block: 0.65 (16.5) x n

Dimensional Data

26 Pin Flat Cable Connector



L n	13	14	15	16	17	18	19	20	21	22	23	24
L1	11.24 (285.5)	11.73 (298)	12.22 (310.5)	12.72 (323)	13.21 (335.5)	13.71 (348)	14.19 (360.5)	14.69 (373)	15.18 (385.5)	15.67 (398)	16.16 (410.5)	16.65 (423)
L2	10.83 (275)	11.32 (287.5)	11.81 (300)	12.30 (312.5)	12.80 (325)	13.29 (337.5)	13.78 (350)	14.27 (362.5)	14.76 (375)	15.26 (387.5)	15.75 (400)	16.24 (412.5)
L3	8.92 (226.5)	9.37 (238)	9.82 (249.5)	10.28 (261)	10.73 (272.5)	11.18 (284)	11.63 (295.5)	12.09 (307)	12.54 (318.5)	12.99 (330)	13.44 (341.5)	13.90 (353)
L4	7.60 (193)	8.05 (204.5)	8.50 (216)	8.96 (227.5)	9.41 (239)	9.86 (250.5)	10.31 (262)	10.77 (273.5)	11.22 (285)	11.67 (296.5)	12.13 (308)	12.58 (319.5)

