

Belt Drive Centrifugal Upblast Exhaust Fans

MODEL CBU

High Efficiency...Quiet Operation

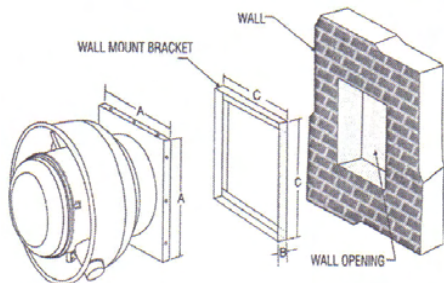
FEATURES

- Non-Overloading Backward Inclined Aluminum Wheel
- Suitable for Wall Mount up through CBU245MA
- Variable Pitch Motor Pulley Allows for Field Adjustment
- Emergency Disconnect Switch Standard
- AMCA Licensed for Sound and Air
- ETL Listed for Over Cooking and Grease Laden Air



Catalog No.	Wheel Dia.	HP	Fan RPM	Tip Speed	Max BHP	Capacity (CFM) at "S.P.							Sones @ 25" S.P.	Ship Wt.	
						1/4"	3/8"	1/2"	3/4"	1"	1-1/4"	1-1/2"			
CBU130CA	13"	1/4	1216	4377	0.28	1746	1652	1556	1294	-	-	-	-	13.8	120
CBU130DA	13"	1/3	1331	4791	0.37	1940	1861	1773	1580	1267	-	-	-	16.6	120
CBU130FA	13"	1/2	1535	5526	0.57	2278	2216	2145	1993	1820	1564	-	-	22	120
CBU150DA	15"	1/3	1069	4408	0.36	2445	2303	2154	1758	-	-	-	-	13.1	130
CBU150FA	15"	1/2	1225	5051	0.55	2866	2756	2632	2349	1989	-	-	-	15.3	130
CBU150HA	15"	3/4	1395	5752	0.81	3317	3228	3126	2908	2644	2334	1818	-	18	140
CBU150JA	15"	1	1529	6305	1.07	3669	3587	3506	3308	3104	2848	2560	-	23	140
CBU180DA	18"	1/3	805	3930	0.36	2739	2556	2361	1851	-	-	-	-	9	150
CBU180FA	18"	1/2	913	4457	0.53	3196	3037	2876	2527	-	-	-	-	11.7	150
CBU180HA	18"	3/4	1044	5097	0.79	3733	3603	3462	3174	2866	2421	-	-	15.3	160
CBU180JA	18"	1	1157	5649	1.08	4190	4075	3953	3699	3430	3151	2743	-	18.7	160
CBU180KA	18"	1-1/2	1319	6439	1.59	4837	4736	4635	4417	4194	3959	3714	3052	23	180
CBU200DA	20"	1/3	673	3635	0.36	3292	2992	2598	-	-	-	-	-	8.9	155
CBU200FA	20"	1/2	766	4173	0.53	3884	3643	3367	2599	-	-	-	-	12	155
CBU200HA	20"	3/4	875	4726	0.79	4527	4364	4143	3615	2889	-	-	-	14.2	165
CBU200JA	20"	1	968	5228	1.07	5067	4934	4762	4359	3821	3068	-	-	16.5	165
CBU200KA	20"	1-1/2	1100	5941	1.57	5826	5709	5593	5264	4894	4423	3871	-	21	185
CBU245HA	24"	3/4	659	4270	0.78	5445	5091	4716	3646	-	-	-	-	12.5	200
CBU245JA	24"	1	730	4730	1.06	6157	5857	5537	4782	-	-	-	-	15.4	200
CBU245KA	24"	1-1/2	831	5384	1.56	7147	6915	6636	6063	5357	4193	-	-	18.7	220
CBU245MA	24"	2	912	5909	2.07	7930	7718	7492	6980	6427	5743	4648	-	21	230
CBU245OA	24"	3	1050	6804	3.15	9246	9066	8882	8471	8026	7554	6997	5267	27	230
CBU245PA	24"	5	1241	8041	5.21	11054	10900	10774	10434	10083	9707	9331	8456	37	270
CBU300HA	30"	3/4	458	3702	0.77	6445	5941	5388	-	-	-	-	-	9	340
CBU300JA	30"	1	507	4098	1.05	7305	6895	6419	5333	-	-	-	-	11.4	340
CBU300KA	30"	1-1/2	577	4664	1.55	8494	8184	7801	6949	5945	-	-	-	14.3	360
CBU300MA	30"	2	635	5133	2.06	9453	9189	8884	8147	7335	6377	-	-	16.6	370
CBU300OA	30"	3	731	5909	3.15	11016	10806	10573	10017	9362	8669	7887	-	21	370
CBU300PA	30"	5	864	6984	5.19	13153	12985	12409	11942	11400	10829	9582	-	27	410
CBU365KA	36"	1-1/2	429	4184	1.55	11593	10935	10138	-	-	-	-	-	12	500
CBU365MA	36"	2	470	4583	2.05	12917	12349	11716	9975	-	-	-	-	14.6	510
CBU365OA	36"	3	542	5286	3.14	15195	14737	14236	13080	11483	-	-	-	18.3	510
CBU365PA	36"	5	640	6241	5.19	18234	17864	17474	16625	15644	14424	12824	-	25	550

Performance shown is for installation Type A: Free Inlet; Free Outlet. Power Ratings (BHP) do not include Drive Losses. Performance ratings do not include the effects of appurtenances in the air stream. The sound ratings shown are loudness values in fan sones at 5 ft. (1.5m) in a hemispherical free field calculated per AMCA Standard 301. Values shown are for installation Type A: Free inlet fan sone levels.



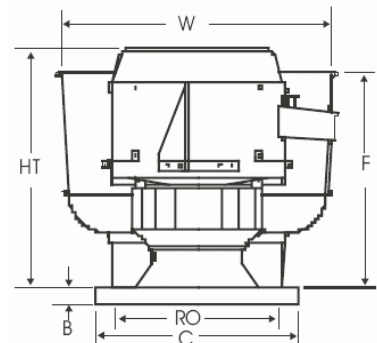
CBU WALL MOUNTING DETAILS

MODEL	A	C	WALL OPENING
CBU130	21	20-1/2	16
CBU150	24-3/4	24-1/4	20
CBU 180	28	27-1/2	24
CBU200	28	27-1/2	24
CBU245	33	32-1/2	28

FAN DIMENSIONS

Wheel Dia.	Catalog Number	Ht.	W	B	C	F	RO or WO
13"	CBU130	25-1/2"	28-1/4"	2"	21"	23"	16"
15"	CBU150	28-1/4"	31-1/2"	2"	24-3/4"	23"	20"
18"	CBU180	31-1/2"	37-1/2"	2"	28"	26"	24"
20"	CBU200	31-1/2"	37-1/2"	2"	28"	26"	24"
24"	CBU245	37-1/2"	42"	2"	33"	31"	28"
30"	CBU300	39"	51-1/4"	2"	40"	33-1/8"	36"
36"	CBU365	42-1/2"	61-3/8"	2"	44"	45-1/4"	40"

* Wall mount not available for 30" or 36" size



NOTES:

Instructions for Wall Mounting included with each fan. 50Hz motors available.

Special custom order product. Once in production, non-cancellable, non-returnable under any circumstance.

Belt Drive Centrifugal Upbalst Exhaust Fans

MODEL CBU

Single Speed (ODP)

115/ 230V 1 Phase

EDP Number	Catalog No.	List Price
32524	CBU130CA	\$2,588
32525	CBU130DA	\$2,611
32526	CBU130FA	\$2,625
32528	CBU150DA	\$2,727
32529	CBU150FA	\$2,795
32532	CBU150HA	\$2,879
32534	CBU150JA	\$2,995
32536	CBU180DA	\$3,357
32537	CBU180FA	\$3,436
32539	CBU180HA	\$3,532
32541	CBU180JA	\$3,662
32543	CBU180KA	\$3,709
32545	CBU200DA	\$3,540
32546	CBU200FA	\$3,622
32548	CBU200HA	\$3,721
32552	CBU200JA	\$3,858
32554	CBU200KA	\$4,094
32556	CBU245HA	\$4,268
32558	CBU245JA	\$4,406
32560	CBU245KA	\$4,650
32565	CBU300HA	\$5,383
32567	CBU300JA	\$5,035
32569	CBU300KA	\$5,539
32577	CBU365KA	\$8,126

208/ 230/460V 3 Phase

EDP Number	Catalog No.	List Price
32527	CBU130FA	\$2,570
32531	CBU150FA	\$2,738
32533	CBU150HA	\$2,794
32535	CBU150JA	\$2,833
32538	CBU180FA	\$3,369
32540	CBU180HA	\$3,434
32542	CBU180JA	\$3,477
32544	CBU180KA	\$3,495
32547	CBU200FA	\$3,551
32549	CBU200HA	\$3,620
32553	CBU200JA	\$3,664
32555	CBU200KA	\$3,686
32557	CBU245HA	\$4,162
32559	CBU245JA	\$4,208
32561	CBU245KA	\$4,231
32562	CBU245MA	\$4,564
32563	CBU245OA	\$4,670
32564	CBU245PA	\$5,095
32566	CBU300HA	\$5,266
32568	CBU300JA	\$5,316
32573	CBU300KA	\$5,341
32574	CBU300MA	\$6,047
32575	CBU300OA	\$6,293
32576	CBU300PA	\$6,576
32578	CBU365KA	\$7,564
32579	CBU365MA	\$7,619
32580	CBU365OA	\$8,711
32581	CBU365PA	\$9,051

Optional Accessories

8" Curb

EDP Number	Catalog No.	List Price
31102	PACA20-8	\$226
31107	PACA23.75-8	\$277
31112	PACA27-8	\$316
31115	PACA32-8	\$373
31118	PACA39-8	\$453
31121	PACA43-8	\$441

EDP No. Used with CBU Models No.

31102	CBU130CA, CBD130DA, CBD130FA
31107	CBU150DA, CBD150FA, CBD150HA, CBD150JA
31112	CBU180FA, CBD180HA, CBD180JA, CBD180KA, CBD180MA, CBD200FA, CBD200HA, CBD200JA, CBD200KA, CBD200MA
31115	CBU245HA, CBD245JA, CBD245KA, CBD245MA, CBD245OA
31118	CBU300JA, CBD300KA, CBD300MA, CBD300OA, CBD300PA
31121	CBU365JA, CBD365KA, CBD365MA, CBD365OA, CBD365PA

12" Curb

EDP Number	Catalog No.	List Price
31103	PACA20-12	\$249
31108	PACA23.75-12	\$325
31113	PACA27-12	\$369
31116	PACA32-12	\$438
31119	PACA39-12	\$534
31122	PACA43-12	\$586

EDP No. Used with CBU Models No.

31103	CBU130CA, CBD130DA, CBD130FA
31108	CBU150DA, CBD150FA, CBD150HA, CBD150JA
31113	CBU180FA, CBD180HA, CBD180JA, CBD180KA, CBD180MA, CBD200FA, CBD200HA, CBD200JA, CBD200KA, CBD200MA
31116	CBU245HA, CBD245JA, CBD245KA, CBD245MA, CBD245OA
31119	CBU300JA, CBD300KA, CBD300MA, CBD300OA, CBD300PA
31122	CBU365JA, CBD365KA, CBD365MA, CBD365OA, CBD365PA

18" High Ventilated Curb

EDP Number	Catalog No.	List Price
31104	PACA20-18V	\$458
31109	PACA23.75-18V	\$543
31114	PACA27-18V	\$618
31117	PACA32-18V	\$733
31120	PACA39-18V	\$893
31123	PACA43-18V	\$983

EDP No. Used with CBU Models No.

31104	CBU130CA, CBD130DA, CBD130FA
31108	CBU150DA, CBD150FA, CBD150HA, CBD150JA
31113	CBU180FA, CBD180HA, CBD180JA, CBD180KA, CBD180MA, CBD200FA, CBD200HA, CBD200JA, CBD200KA, CBD200MA
31116	CBU245HA, CBD245JA, CBD245KA, CBD245MA, CBD245OA
31119	CBU300JA, CBD300KA, CBD300MA, CBD300OA, CBD300PA
31122	CBU365JA, CBD365KA, CBD365MA, CBD365OA, CBD365PA

Damper Gravity

EDP Number	Catalog No.	List Price
32453	BD16.75A	\$178
32455	BD29A	\$218
32456	BD23.75A	\$270
32518	BD37A	\$328
32457	BD44A	\$408
32458	BD39.75A	\$464

EDP No. Used with CBU-HP Models No.

32455	CBU-HP150DA, CBU-HP150FA, CBU-HP150HA, CBU-HP150JA
32456	CBU-HP180FA, CBU-HP180HA, CBU-HP180JA, CBU-HP180KA, CBU-HP180MA, CBU-HP200HA, CBU-HP200JA, CBU-HP200KA, CBU-HP200MA, CBU-HP200OA
32518	CBU-HP245HA, CBU-HP245JA, CBU-HP245KA, CBU-HP245MA, CBU-HP245OA, CBU-HP245PA
32457	CBU-HP300HA, CBU-HP300JA, CBU-HP300KA, CBU-HP300MA, CBU-HP300OA, CBU-HP300PA

Damper Motor Kit

EDP Number	Catalog No.	List Price
94283	Motor Kit 115/230V	\$283

94282	Motor Kit 460V	\$283
-------	----------------	-------

EDP No. Used with CBU-HP Models No.

94283	CBU-HP150DA, CBU-HP150FA, CBU-HP150HA, CBU-HP150JA
94282	CBU-HP180FA, CBU-HP180HA, CBU-HP180JA, CBU-HP180KA, CBU-HP180MA, CBU-HP200HA, CBU-HP200JA, CBU-HP200KA, CBU-HP200MA, CBU-HP200OA, CBU-HP245HA, CBU-HP245JA, CBU-HP245KA, CBU-HP245MA, CBU-HP245OA, CBU-HP245PA, CBU-HP300HA, CBU-HP300JA, CBU-HP300KA, CBU-HP300MA, CBU-HP300OA, CBU-HP300PA

Wall Mount Damper

EDP Number	Catalog No.	List Price
32453	BD16.75A	\$178
32455	BD29A	\$218
32456	BD23.75A	\$270
32518	BD37A	\$328

EDP No. Used with CBU-HP Models No.

32455	CBU-HP150DA, CBU-HP150FA, CBU-HP150HA, CBU-HP150JA
32456	CBU-HP180FA, CBU-HP180HA, CBU-HP180JA, CBU-HP180KA, CBU-HP180MA, CBU-HP200HA, CBU-HP200JA, CBU-HP200KA, CBU-HP200MA, CBU-HP200OA
32518	CBU-HP245HA, CBU-HP245JA, CBU-HP245KA, CBU-HP245MA, CBU-HP245OA, CBU-HP245PA

Wall Grille

EDP Number	Catalog No.	List Price
32522	WG17	\$179
32523	WG20	\$239

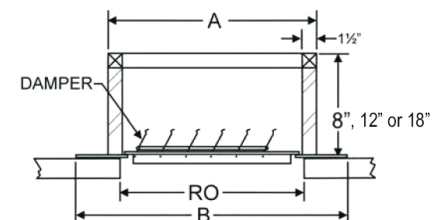
EDP No. Used with CBU Models No.

32522	CBU130CA, CBD130DA, CBD130FA, CBD150DA, CBD150FA, CBD150HA, CBD150JA, CBD180FA, CBD180HA, CBD180JA, CBD180KA, CBD180MA, CBD200FA, CBD200HA, CBD200JA, CBD200KA, CBD200MA
32523	CBU245HA, CBD245JA, CBD245KA, CBD245MA, CBD245OA

WALL BRACKETS AVAILABLE (through CBU245-MA) - CONTACT FACTORY

CURB DIMENSIONS

Curb Cat. No.	Ship Wt.	A Sq.	B Sq.	Roof Opening	Damper Cat. No.	Ship Wt.
PACA20	20	20"	24"	16"	BD16.75A	4
PACA23.75	23	23.75"	27.75"	20"	BD29A	6
PACA27	28	27"	31"	24"	BD23.75A	7
PACA32	39	32"	36"	28"	BD37A	9
PACA39	39	39"	43"	36"	BD44A	16
PACA43	45	43"	47"	40"	BD39.75A	18



Accessories

EDP Number	Description	List Price
62000	Curb Hinge	\$150
62002	Bird Screen	\$169
62003	Grease Box	\$169

NOTE: Cannot use a Bird Screen and a Grease Box on the same fan.

NOTES:
 Non-Vented Curbs Available. Consult factory.
 Pitched and Peaked Curbs available.
 For Pitched Roof Curb price, multiply flat roof curb price by 1.67.
 For Peaked Roof Curb price, multiply flat roof curb price by 2.22.
 Please specify Pitched or Peaked when ordering.

