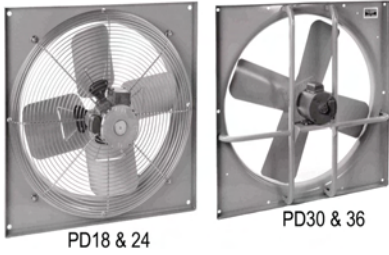


# Direct Drive Fans

## Low Pressure Industrial Duty

### MODEL PD



PD18 & 24



PD30 & 36

#### FEATURES

- Totally Enclosed, Ball Bearing Motor
- High Efficiency
- 2 Speed, Single Phase; or, Single Speed,
- Three Phase Motors Available



Totally Encl. Two Speed \*115V

◀ = EDP in stock

EDP Number	Catalog No.	Prop Dia.	HP	Fan RPM	Capacity (CFM) @ "SP				Max. Sones @ 5'	Approx. Ship Wt.	List Price
					0"	1/10"	1/8"	1/4"			
◀24201	PD18T-D3A	18	1/6	1110	2680	2414	2332	1789	12.0	34	\$699
◀24211	PD24T-E3A	24	1/2	870	4860	4360	4270	2800	11.6	56	\$793
◀24221	PD30T-G3A	30	1/2	845	7380	6850	6750	5500	16.7	73	\$1,575
◀24231	PD36R-G3A	36	1/2	840	8664	7814	7545	5916	20.5	95	\$1,857

TEFC 1 Speed, 3 Ph. 230/460V

◀ = EDP in stock

EDP Number	Catalog No.	Prop Dia.	HP	Fan RPM	Capacity (CFM) @ "SP				Max. Sones @ 5'	Approx. Ship Wt.	List Price
					0"	1/10"	1/8"	1/4"			
◀24260	PD24T-E8A	24	1/4	825	4610	4110	4020	2550	11.6	70	\$1,537
◀24270	PD30T-G8	30"	1/2	845	7380	6850	6750	5500	16.7	70	\$1,649
◀24280	PD36R-G8	36"	1/2	840	8664	7814	7545	5916	20.5	95	\$1,926

For supply duty add "S" prefix to EDP Number and use list price divided by 0.80. PD24T-E3A not available as Supply Duty.  
For " ", see Controls below.

#### RECOMMENDED OPTIONAL ACCESSORIES (EDP Numbers in Parenthesis)

Prop Dia.	WRE Exhaust Shutter			WS Wall Collar			WC Supply Shutter			Safety Guards Prop Side (Front)			Safety Guards Motor Side (Rear)				
18"	WR18E	(22785)	\$171	WS18	(06894)	\$299	WC18	(22631)	\$193	18FG	(23670)	11#	\$271	INCLUDED -	-	-	
24"	WR24E	(22795)	\$227	WS24	(06887)	\$316	WC24	(22641)	\$241	24FG	(23675)	15#	\$299	INCLUDED -	-	-	
30"	WR30E	(22805)	\$310	WS30	(06888)	\$477	WC30	(22651)	\$340	30FG	(23680)	19#	\$327	30RG	(23625)	37#	\$421
36"	WR36E	(22815)	\$388	WS36	(06889)	\$507	WC36	(22661)	\$450	36FG	(23685)	27#	\$400	36RG	(23630)	64#	\$688

See page 61 for prop side (front) & motor side (rear) guard dimensions. See page 59 for WRE and WC shutter selection/installation information, ship weights and cautions.

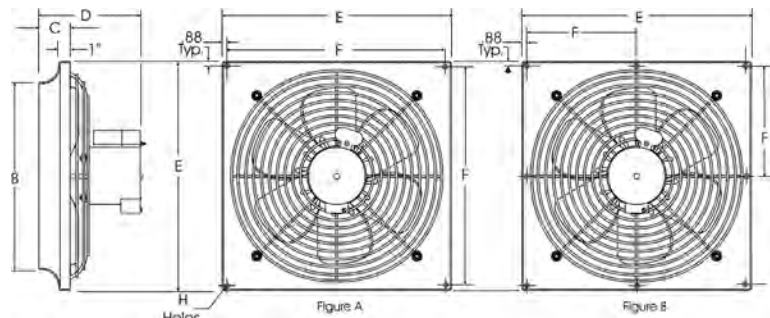
NOTE: When a WRE or WC shutter is used for exhaust or supply and mounted remote from the fan, a WS Wall Collar is not needed. The shutter is installed directly on the wall and a Motor Actuator Kit must be utilized.

NOTE: On 18" and 24" sizes, motor is guard mounted.

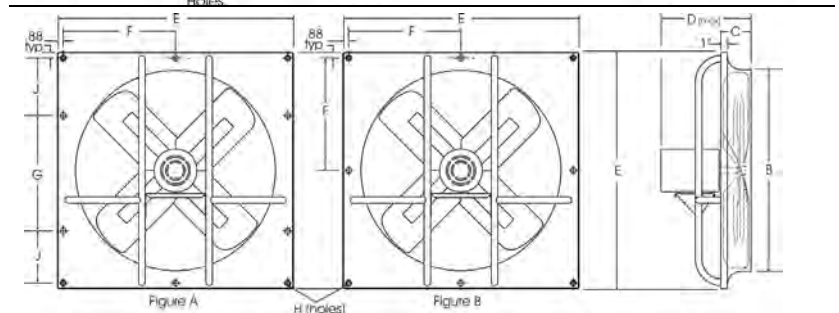
#### DIMENSIONS FOR PD (IN.)

Size	18"	24"	30"	36"
See Fig.	A	B	C	D
A(Dia.)	18	24	30	36
B	18 1/2	24 1/2	30 1/2	36 1/2
C	3	3 1/2	4-5/8	4 3/4
D	9-3/8	15 1/2	13 3/4	12 1/4
E	24	30	36	42
F	22 1/4	14-1/8	17-1/8	20-1/8
G				18 1/4
J				11
H(Dia.)	.38	.62	.62	.62
HOLES	4	8	8	10

PD 18" and 24"  
Illustration A



PD 30" and 36"  
Illustration B



## Direct Drive Fans

### Low Pressure Industrial Duty MODEL PD

#### For Motorized Shutters Add Motor Kit

##### *WR Exhaust Motor Kit For 9" to 36" Wall Louver*

EDP Number	Catalog No.	List Price
22930	MK4620-F (120/240V)	\$347
22935	MK4620-C (440V)	\$347

Specify voltage needed when ordering.

##### *WC Supply Duty Motor Kit - For 9" - 36" Supply Shutters*

EDP Number	Catalog No.	Volt	List Price
22900	MK5047-F	120/240V, 9"-36" Sizes	\$347
22905	MK5047-C	440V, 9"-36" Sizes	\$318

Specify voltage needed when ordering.

#### **Controls**

EDP Number	Model#	Description	List Price
24852	-	*Two Speed Switch for 115V, TE, 2 Sp. Fan Only	\$52
85388	-	*Two Speed Switch for Fan & Supply Shutter	\$43
24820	T-1	Thermostat (115V only)	\$232

##### *Manual Chain Operator - 1 Panel Exhaust Shutter (For 10" to 36")*

EDP Number	List Price
02684	\$180

