

Direct Drive Fans

Low Pressure All Purpose Wall Fan MODEL EPR

Totally Enclosure Two Speed 115V



FEATURES

- High Efficiency
- Low Operating Cost
- Commercial Duty
- Totally Enclosed Motor



◀ = EDP in stock

EDP Number	Catalog No.	Prop Dia.	HP	Fan RPM	Capacity (CFM) @ "SP In. W.G.						Max. Sones @ 5'	Ship Wt.	List Price
					0"	.05"	.10"	.125"	.02"	.250"			
◀24100	10EPR16	10"	1/30	1550	630	469	418	394	309	234	5.6	12	\$442**
◀24110	12EPR16	12"	1/30	1550	897	843	754	689	503	378	6.0	14	\$460*
◀24120	16EPR16	16"	1/9	1050	1881	1766	1626	1540	1169	814	8.8	24	\$558**
◀24130	18EPR16	18"	1/9	1050	2504	2345	2149	2035	1553	884	9.5	27	\$593*

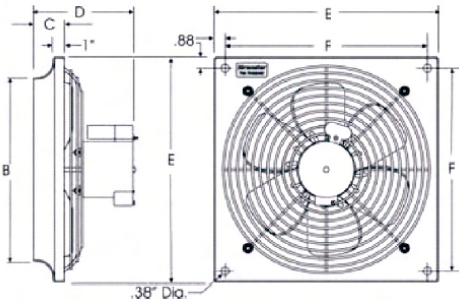
NOTE: For Supply Duty add "S" prefix to EDP Number and use list price divided by 0.80.
For * or ** see Controls below.

RECOMMENDED OPTIONAL ACCESSORIES (EDP numbers in parenthesis)

Catalog Number	Wall Collar			Exhaust Shutter For Use With Wall Collar			Supply Shutter For Use With Wall Collar			Exhaust Shutter For Use Without Wall Collar			Supply Shutter For Use Without Wall Collar			Safety Guards Prop Side (Front)			
10EPR16	WS10	(06883)	\$224	WR9E	(22753)	\$118	WC9	(22754)	\$143	WR10E	(22750)	\$118	WC10	(22755)	\$154	10EPR	(23060)	3#	\$213
12EPR16	WS12	06884	\$242	WR12E	(22765)	\$124	WC12	(22611)	\$154	WR12E	(22765)	\$124	WC12	(22611)	\$154	12EPR	(23070)	4#	\$223
16EPR16	WS16E	06885	\$276	WR12E	(22765)	\$124	WC12	(22611)	\$154	WR16E	(22775)	\$158	WC16	(22621)	\$162	16EPR	(23080)	5#	\$276
18EPR16	WS18E	06886	\$319	WR16E	(22775)	\$158	WC16	(22621)	\$162	WR18E	(22785)	\$171	WC18	(22631)	\$193	18EPR	(23090)	7#	\$279

See page 60 for WS Wall Collar Dimensions. See page 59 for WRE and WC shutter selection/installation information, ship weights and cautions.

NOTE: When a WRE or WC Shutter is used for exhaust or supply and mounted remote from the fan, a WS Wall Collar is not needed. The shutter installed directly on the wall and a Motor Actuator Kit must be utilized.



FAN DIMENSIONS (INCHES)

Size	A	B	C	D	E	F	H(DIA.)	# HOLES
10	10	10 1/4	1 1/2	6	14	12.25	.38	4
12	12	12 1/4	1 1/2	8	16	14.25	.38	4
16	16	16 1/2	1 3/4	9 1/2	20	18.25	.38	4
18	18	18 1/2	1 3/4	10	22	20.25	.38	4

For Motorized Shutters Add Motor Kit

WR Exhaust Motor Kit - For 9" to 36" Wall Shutters

EDP Number	Catalog No.	List Price
22930	MK4620-F (120/240V)	\$347

Specify voltage needed when ordering.

Manual Chain Operator - 1 Panel Exhaust Shutter (For 10" to 36")

EDP Number	List Price
02684	\$180

WC Supply Duty Motor Kit - For 9" - 36" Supply Shutters

EDP Number	Catalog No.	List Price
22900	MK5047-F (120V/240V)	\$347

Units are single phase operation. Specify voltage needed when order ing.

NOTE: If Supply Shutter is remote from fan, it must be motorized.

Controls

EDP Number	Model	Item	List Price
24852	-	*Two Speed Switch for Fan Only	\$52
85388	-	*Two Speed Switch for Fan & Supply Shutter	\$43
24855	458210	**Variable Speed	\$65
24820	T-1	Thermostat (115V only)	\$232

