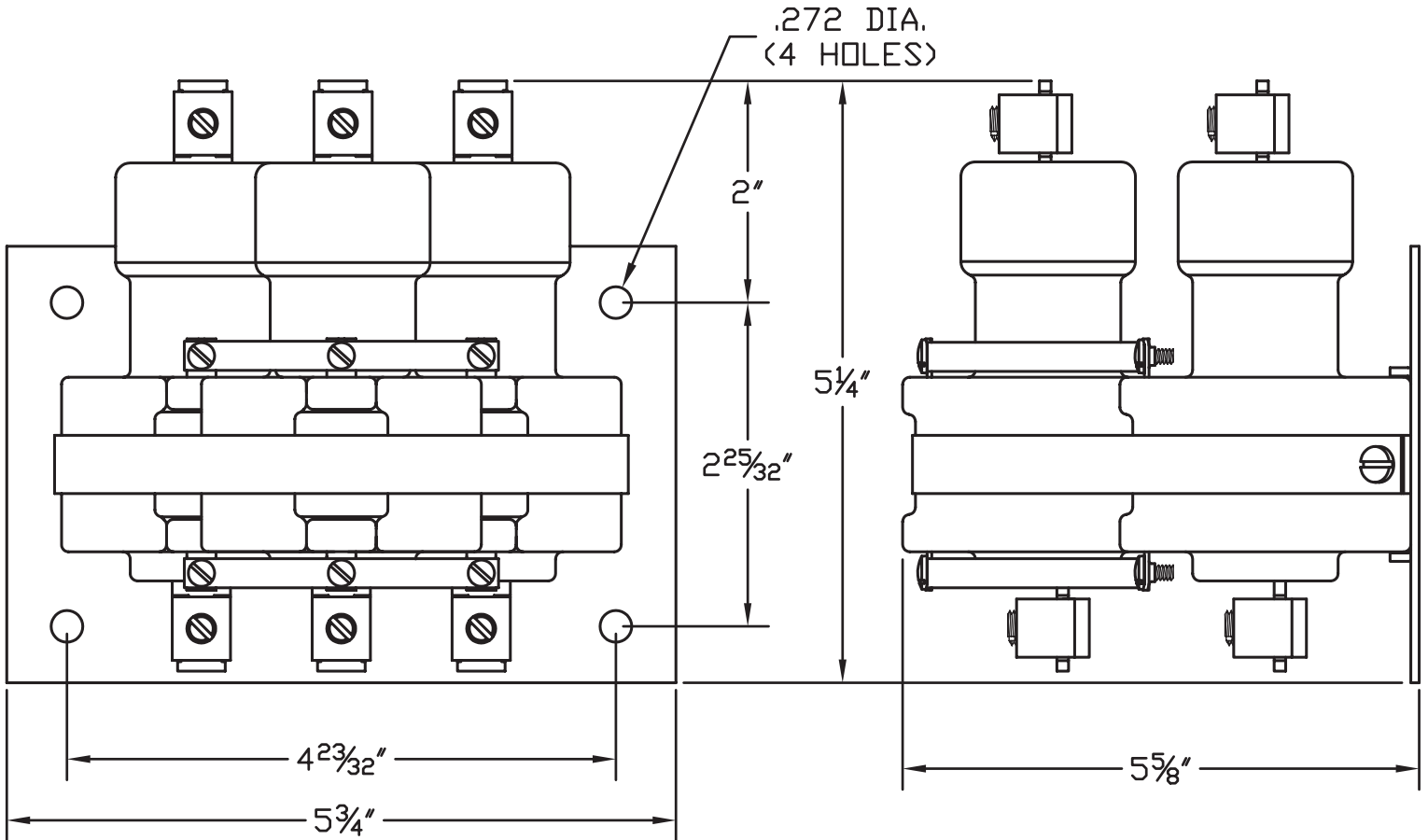




**MERCURY DISPLACEMENT INDUSTRIES, INC.**  
INDUSTRIAL & ELECTRIC SUPPLY CO.  
Phone (956) 541-3743 - Fax (956) 541-2106  
(800) 880-3743

# 3100NO-120AH



- \* CONTACT RESISTANCE .001 ohms
- \* DIELECTRIC WITHSTAND 2,500 VAC RMS
- \* OPERATE TIME 45 MILLISECONDS
- \* RELEASE TIME 60 MILLISECONDS
- \* RATINGS:

CONTACTS: 100 AMPS @ 240 VAC RES.

80 AMPS @ 480 VAC RES.

COIL: 120V 50/60 Hz CURRENT: 411 MA

RESISTANCE: 127  $\Omega$  VA: 49.2

WATTAGE: 21.3 RESISTIVE OR GENERAL PURPOSE

- \* TEMPERATURE RANGE  $-35^{\circ}$  TO  $+85^{\circ}$  C
- \* COIL TERMINALS #6 BINDING HEAD SCREWS  
TORQUE TO 7 IN-LB
- \* LOAD TERMINALS 2-8 A.W.G. COMPRESSION  
TYPE TORQUE TO 45 IN-LB
- \* THREE POLE / SINGLE THROW
- \* MAGNETICALLY ACTIVATED
- \* MERCURY CONTACTOR

Contactors - Relays - Switches

J.J.S. 07-13-10