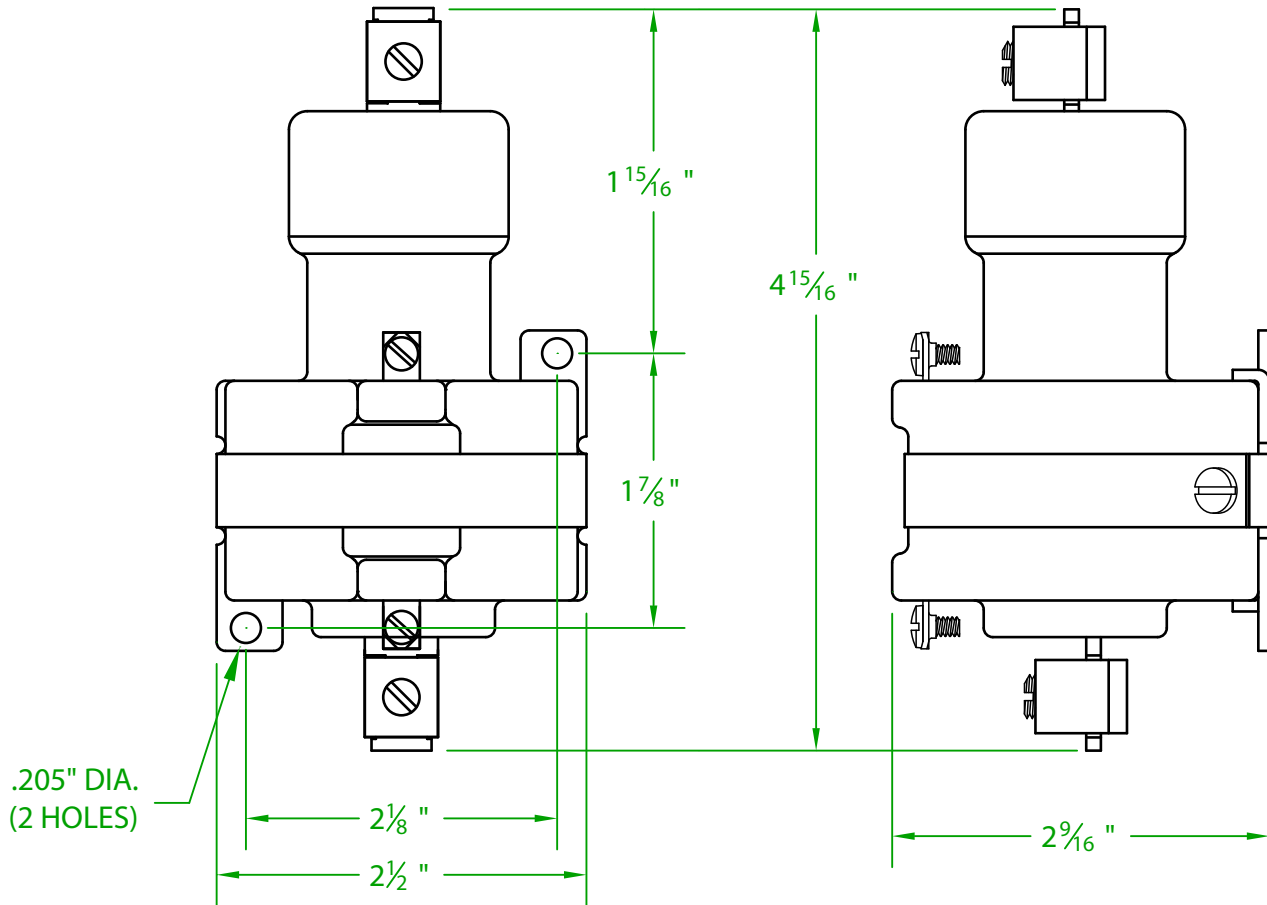




MERCURY DISPLACEMENT INDUSTRIES, INC.
INDUSTRIAL & ELECTRIC SUPPLY CO.
Phone (956) 541-3743 - Fax (956) 541-2106
(800) 880-3743

100NO-24DH



- * CONTACT RESISTANCE .001 ohms
- * DIELECTRIC WITHSTAND 2,500 VAC RMS
- * OPERATE TIME 45 MILLISECONDS
- * RELEASE TIME 60 MILLISECONDS
- * RATINGS:
 - CONTACTS: 100 AMPS @ 240 VAC
 - 80 AMPS @ 480 VAC
 - COIL: 24 V.D.C. CURRENT: 369 mA
 - RESISTANCE: 67 Ω VA: 8.9
 - WATTAGE: 8.9 RESISTIVE OR GENERAL PURPOSE

- * TEMPERATURE RANGE -35° TO +85° C
- * COIL TERMINALS #6 BINDING HEAD SCREWS
TORQUE TO 7 IN-LB
- * LOAD TERMINALS 2-8 A.W.G. COMPRESSION
TYPE TORQUE TO 45 IN-LB
- * SINGLE POLE / SINGLE THROW
- * MAGNETICALLY ACTIVATED
- * MERCURY CONTACTOR

Contactors - Relays - Switches