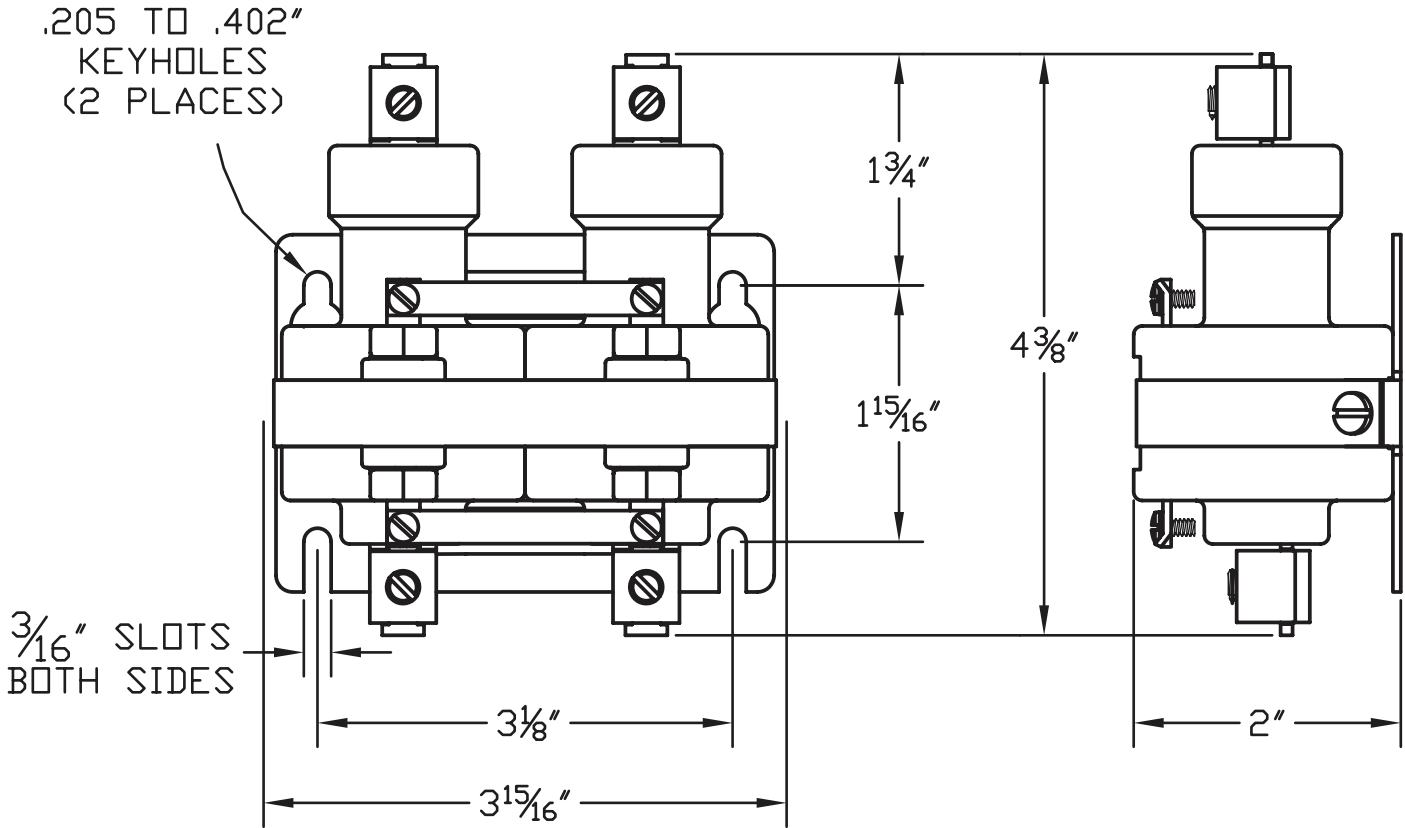




**MERCURY DISPLACEMENT INDUSTRIES, INC.**  
 INDUSTRIAL & ELECTRIC SUPPLY CO.  
 Phone (956) 541-3743 - Fax (956) 541-2106  
 (800) 880-3743

# 260NO-120AH-18



- \* CONTACT RESISTANCE .002 ohms
- \* DIELECTRIC WITHSTAND 2,500 VAC RMS
- \* OPERATE TIME 50 MILLISECONDS
- \* RELEASE TIME 80 MILLISECONDS
- \* RATINGS:  
 CONTACTS: 60 AMPS @ 480 VAC  
 RESISTIVE OR GENERAL PURPOSE  
 COIL: 120V 50/60 Hz  
 CURRENT: 96mA  
 RESISTANCE: 625Ω  
 VA: 11.6 WATTAGE: 5.8
- \* TEMPERATURE RANGE -35° TO +85° C
- \* COIL TERMINALS #6 BINDING HEAD SCREWS  
 TORQUE TO 7 IN-LB
- \* LOAD TERMINALS 2-8 A.W.G. COMPRESSION  
 TYPE TORQUE TO 45 IN-LB
- \* 2 POLE / SINGLE THROW
- \* MAGNETICALLY ACTIVATED
- \* MERCURY CONTACTOR



INDUSTRIAL CONTROL EQUIPMENT

\* LIFE CYCLE ENDURANCE TESTS: U.L. 508 @ 100,00 & CSA 22.2 @ 250,000 CYCLES

Contactors - Relays - Switches