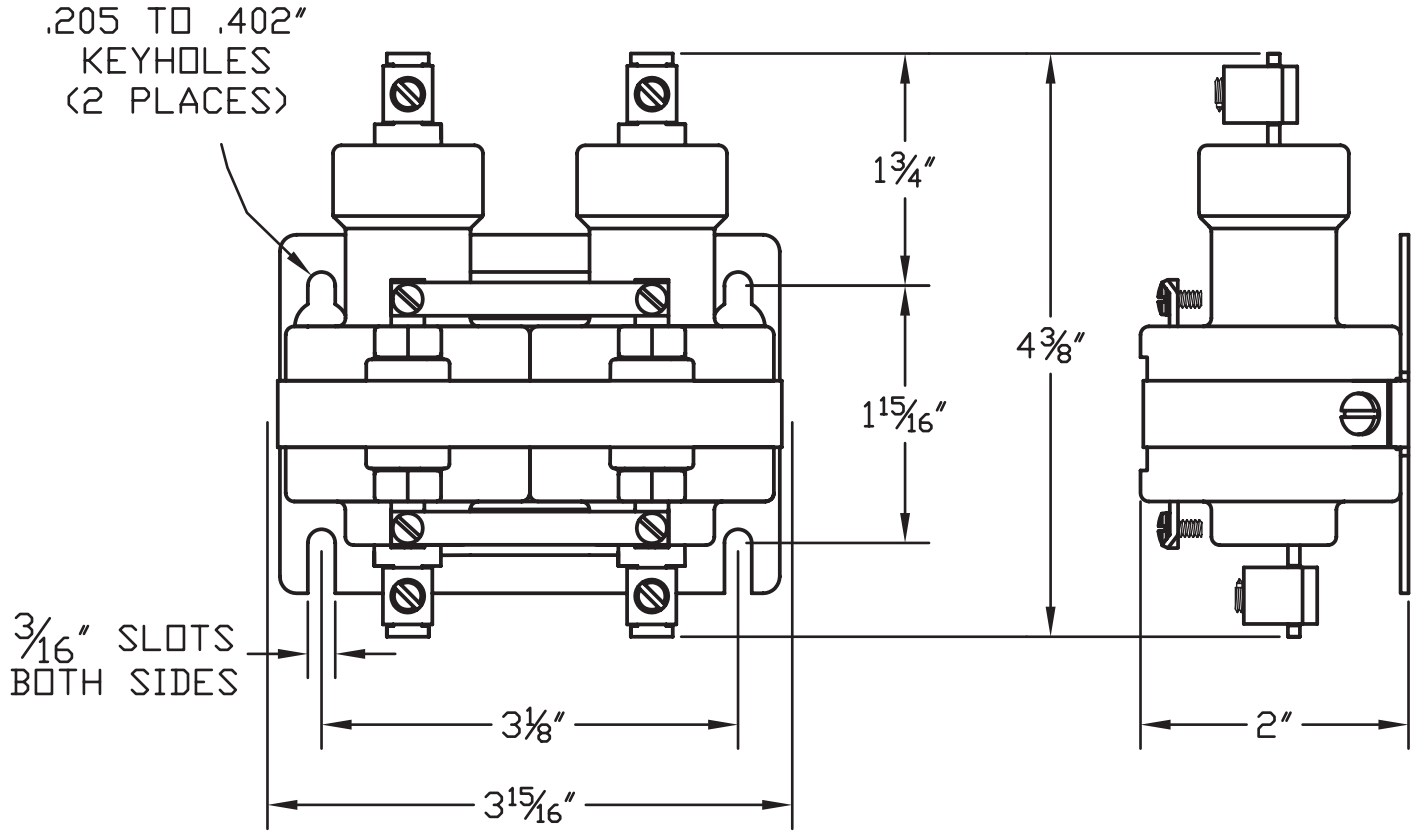




MERCURY DISPLACEMENT INDUSTRIES, INC.

235NO-120A-18



- * CONTACT RESISTANCE .003 ohms
- * DIELECTRIC WITHSTAND 2,500 VAC RMS
- * OPERATE TIME 50 MILLISECONDS
- * RELEASE TIME 80 MILLISECONDS
- * RATINGS:
 CONTACTS: 35 AMPS @ 600 VAC
 RESISTIVE
 COIL: 120V 50/60 Hz
 CURRENT: 106 mA
 RESISTANCE: 625 Ω
 VA: 12.8 WATTS: 7
- * TEMPERATURE RANGE -35° TO +85° C
- * COIL TERMINALS #6 BINDING HEAD SCREWS
TORQUE TO 7-IN-LBS
- * LOAD TERMINALS 4-14 A.W.G. COMPRESSION TYPE
TORQUE TO 31.5 IN-LBS
- * 2 POLE / SINGLE THROW
- * MAGNETICALLY ACTIVATED



* LIFE CYCLE ENDURANCE TESTS: U.L. 508 @ 100,00 & CSA 22.2 @ 250,000 CYCLES J.J.S. 05-21-08