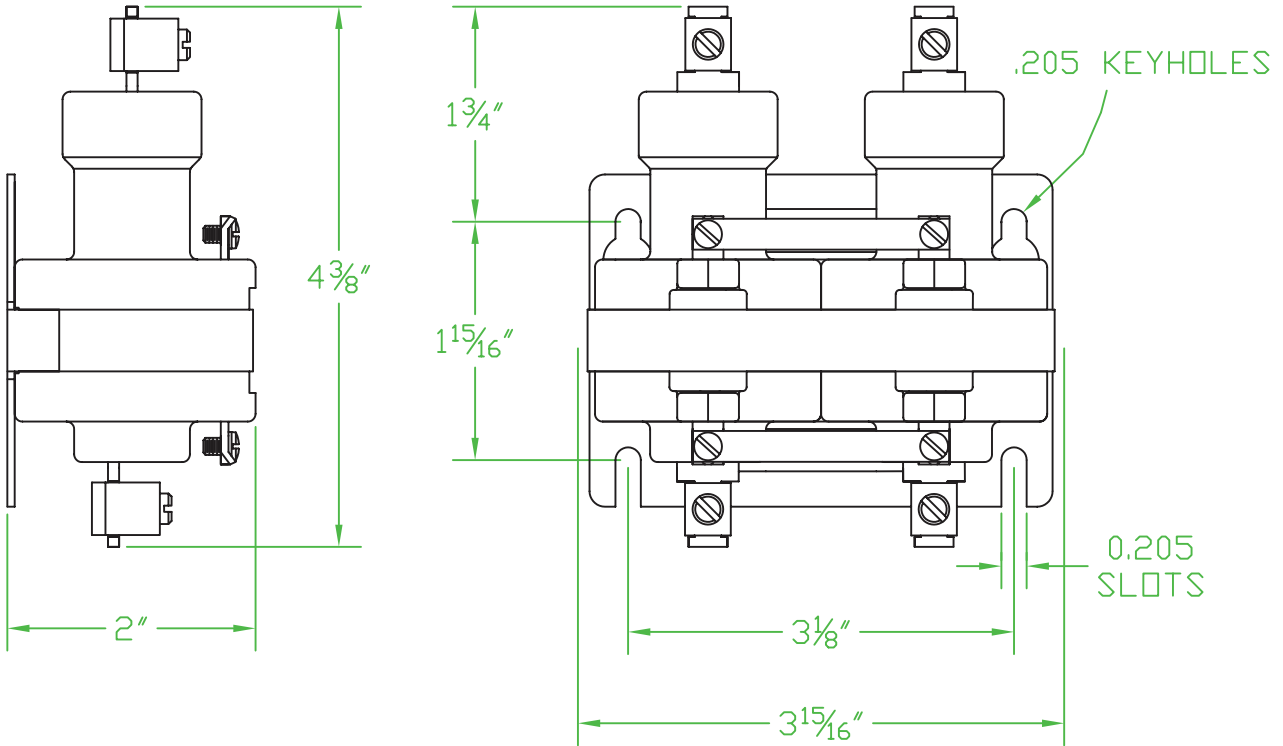




MERCURY DISPLACEMENT INDUSTRIES, INC.

INDUSTRIAL & ELECTRIC SUPPLY CO.
Phone (956) 541-3743 - Fax (956) 541-2106
(800) 880-3743

235NO-24D-18



* CONTACT RESISTANCE .003 ohms

* DIELECTRIC WITHSTAND 2,500 VAC RMS

* OPERATE TIME 50 MILLISECONDS

* RELEASE TIME 80 MILLISECONDS

* RATINGS: CONTACTS: 35 AMP @ 600 VAC
RESISTIVE
COIL: 24 V 50/60 Hz
CURRENT: 272 mA
RESISTANCE: 88 Ω
VA: 6.6 WATTAGE: 6.6

* TEMPERATURE RANGE -35° TO +85° C

* COIL TERMINALS #6 BINDING HEAD SCREWS
TORQUE TO 7 IN-LB

* LOAD TERMINALS 4-14 A.W.G. COMPRESSION
TYPE TORQUE TO 31.5 IN-LB

* TWO POLE / SINGLE THROW

* MAGNETICALLY ACTIVATED

* MERCURY CONTACTOR

* LIFE CYCLE ENDURANCE TESTS: U.L. 508 @ 100,00 & CSA 22.2 @ 250,000 CYCLES

Contactors - Relays - Switches



<http://www.mrocrib.com>

INDUSTRIAL CONTROL EQUIPMENT