

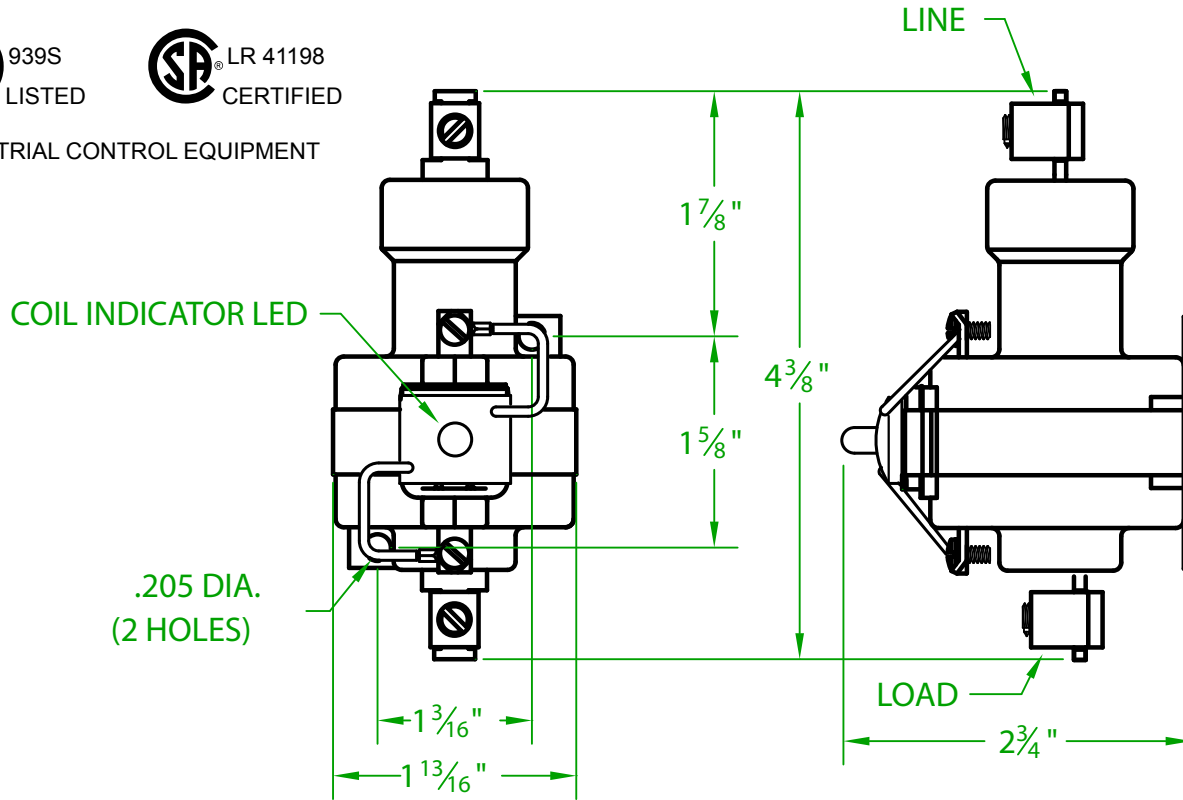


**MERCURY DISPLACEMENT INDUSTRIES, INC.**  
 INDUSTRIAL & ELECTRIC SUPPLY CO.  
 Phone (956) 541-3743 - Fax (956) 541-2106  
 (800) 880-3743

# 35NO-24D-12



INDUSTRIAL CONTROL EQUIPMENT



\* CONTACT RESISTANCE .003 ohms

\* DIELECTRIC WITHSTAND 2,500 VAC RMS

\* OPERATE TIME 50 MILLISECONDS

\* RELEASE TIME 80 MILLISECONDS

\* RATINGS:

CONTACTS: 35 AMP @ 480 VAC

RESISTIVE OR GEN. PUPOSE

COIL: 24 V.D.C.

CURRENT: 148 mA

RESISTANCE: 176 Ω

VA: 3.6 WATTAGE: 3.6

\* TEMPERATURE RANGE -35° TO +85° C

\* COIL TERMINALS #6 BINDING HEAD SCREWS  
 TORQUE TO 7 IN-LB

\* LOAD TERMINALS 4-14 A.W.G. COMPRESSION  
 TYPE TORQUE TO 31.5 IN-LB

\* SINGLE POLE / SINGLE THROW

\* MAGNETICALLY ACTIVATED

\* MERCURY CONTACTOR

\* LIFE CYCLE ENDURANCE TESTS: U.L. 508 @ 100,00 & CSA 22.2 @ 250,000 CYCLES

Contactors - Relays - Switches

J.J.S. April 27, 2012

<http://www.mrocrib.com>