



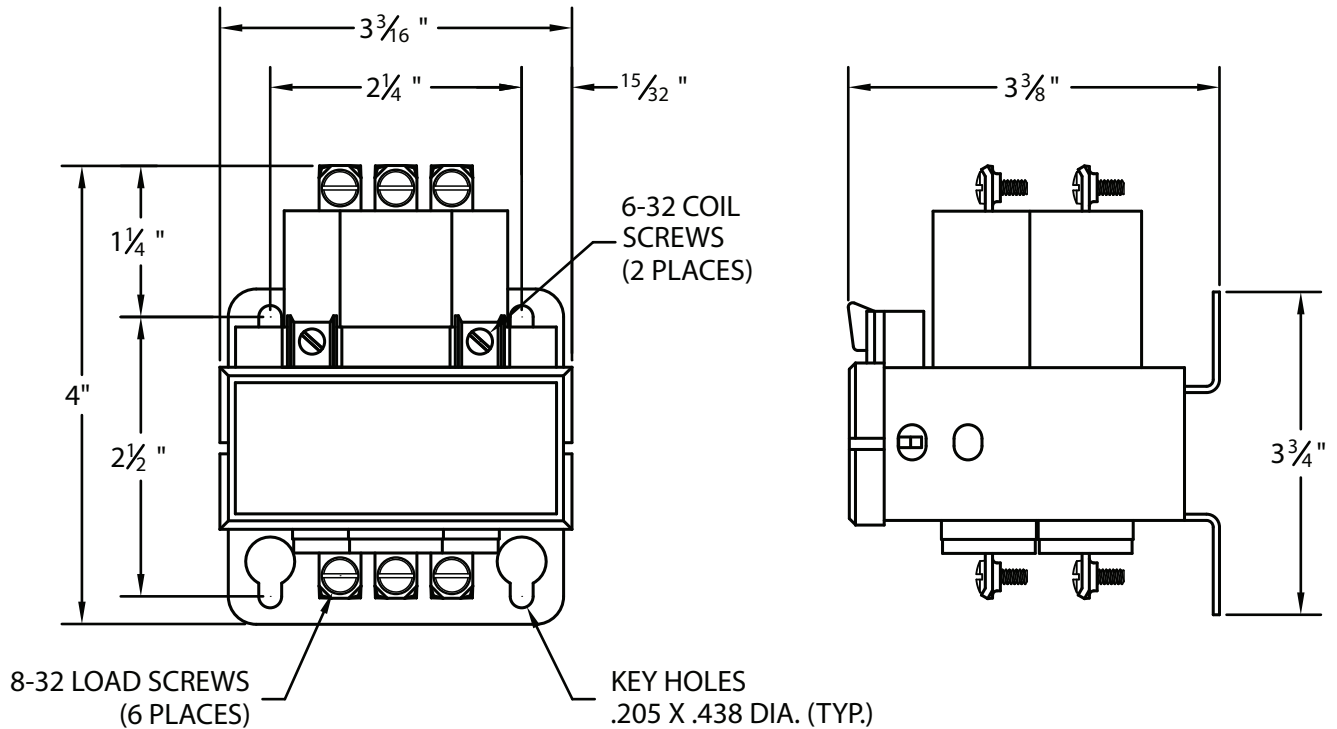
# MERCURY DISPLACEMENT INDUSTRIES, INC.

INDUSTRIAL & ELECTRIC SUPPLY CO.  
Phone (956) 541-3743 - Fax (956) 541-2106  
(800) 880-3743



## 330NO-120A

INDUSTRIAL CONTROL EQUIPMENT



- \* CONTACT RESISTANCE .003 ohms
  - \* DIELECTRIC WITHSTAND 2,500 VAC RMS
  - \* OPERATE TIME 50 MILLISECONDS
  - \* RELEASE TIME 80 MILLISECONDS
  - \* RATINGS:  
CONTACTS: 30 AMPS @ 600 VAC RES.
  - \* TEMPERATURE RANGE -35° TO +85° C
  - \* COIL TERMINALS #6 BINDING HEAD SCREWS TORQUE TO 7 IN-LB
  - \* LOAD TERMINALS #8 BINDING HEAD SCREWS
  - \* 3 POLE / SINGLE THROW
  - \* MAGNETICALLY ACTIVATED
  - \* MERCURY CONTACTOR
- COIL: 120V 50/60 Hz  
CURRENT: 163mA  
RESISTANCE: 210Ω  
VA: 19.6 WATTAGE: 5.6

\* LIFE CYCLE ENDURANCE TESTS: U.L. 508 @ 100,00 & CSA 22.2 @ 250,000 CYCLES

Contactors - Relays - Switches

<http://www.mrocrib.com>