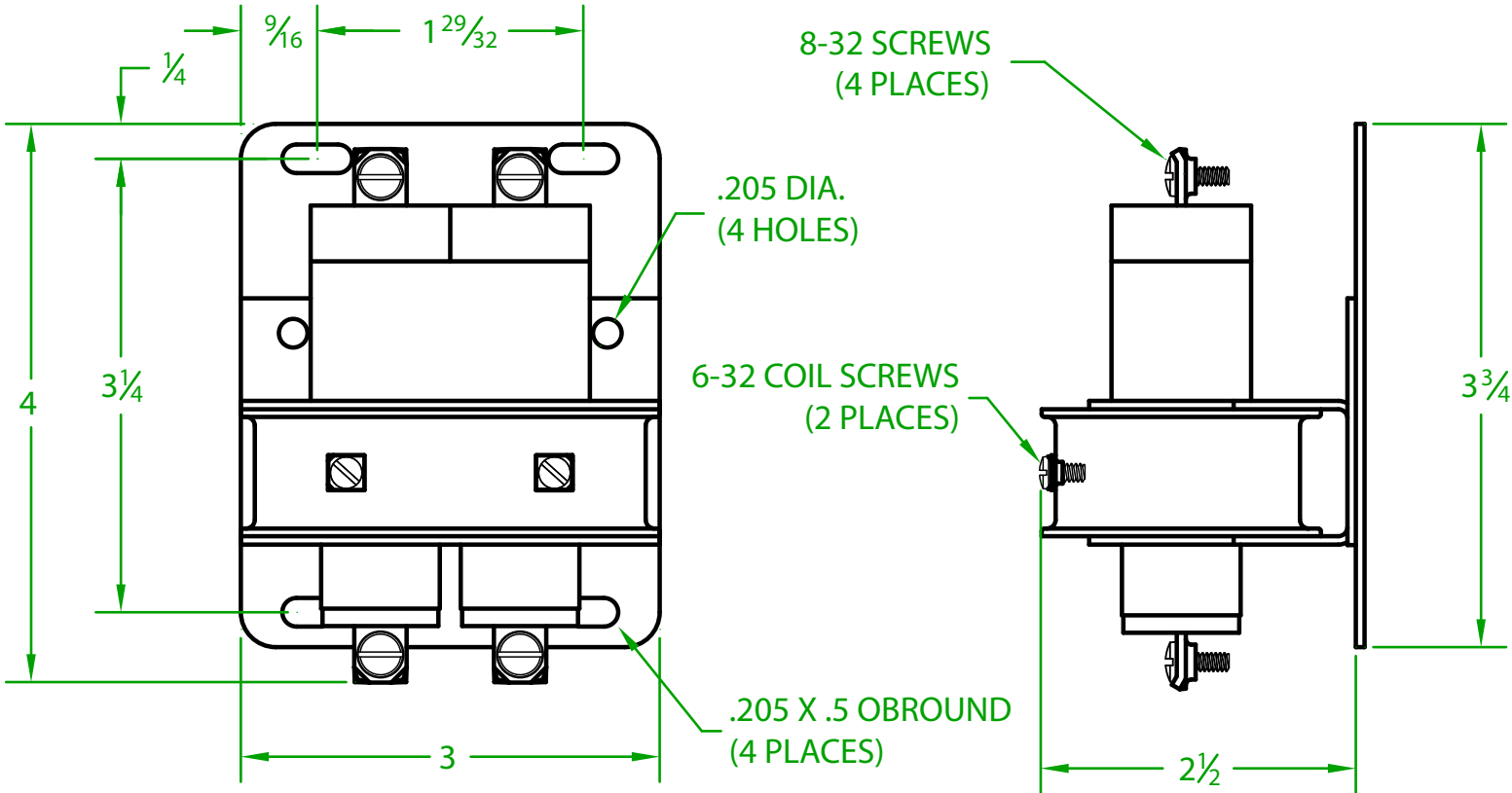




MERCURY DISPLACEMENT INDUSTRIES, INC.
 INDUSTRIAL & ELECTRIC SUPPLY CO.
 Phone (956) 541-3743 - Fax (956) 541-2106
 (800) 880-3743

RU E62767 **SP** LR 41198
 CERTIFIED
 INDUSTRIAL CONTROL EQUIPMENT

230NO-120AU



- * CONTACT RESISTANCE .003 ohms
- * DIELECTRIC WITHSTAND 2,500 VAC RMS
- * OPERATE TIME 50 MILLISECONDS
- * RELEASE TIME 80 MILLISECONDS

* RATINGS:

CONTACTS: 30 AMP @ 600 VAC
 RESISTIVE
 COIL: 120 V 50/60 Hz
 CURRENT: 118mA
 RESISTANCE: 317 Ω
 VA: 14.2 WATTAGE: 4.4

- * TEMPERATURE RANGE -35° TO +85° C
- * COIL TERMINALS #6 BINDING HEAD SCREWS TORQUE TO 7 IN-LB
- * LOAD TERMINALS 8-32 WIRE BINDING SCREWS
- * TWO POLE / SINGLE THROW
- * MAGNETICALLY ACTIVATED
- * MERCURY CONTACTOR

* LIFE CYCLE ENDURANCE TESTS: U.L. 508 @ 100,00 & CSA 22.2 @ 250,000 CYCLES

Contactors - Relays - Switches

01-19-2012 J.J.S.

<http://www.mrocrib.com>