

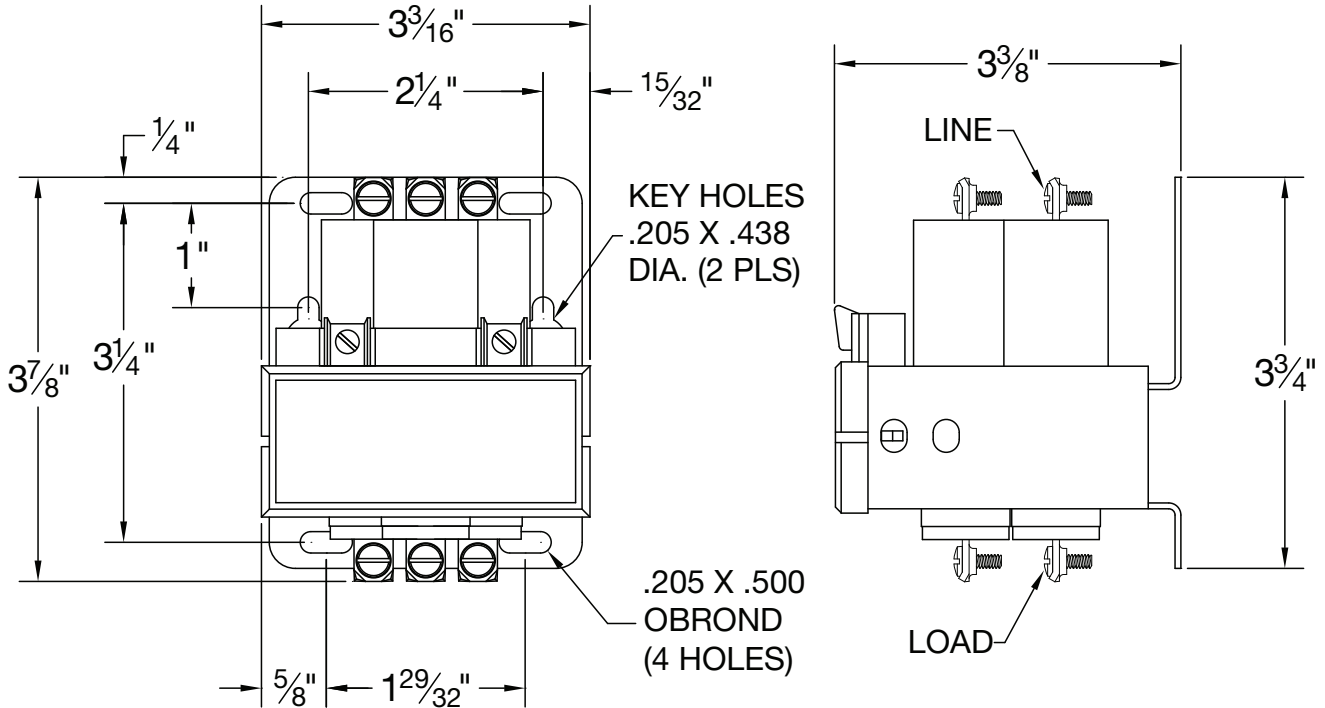


MERCURY DISPLACEMENT INDUSTRIES, INC.
 INDUSTRIAL & ELECTRIC SUPPLY CO.
 Phone (956) 541-3743 - Fax (956) 541-2106
 (800) 880-3743



330NO-24DU

INDUSTRIAL CONTROL EQUIPMENT



- * CONTACT RESISTANCE .003 ohms
- * DIELECTRIC WITHSTAND 2,500 VAC RMS
- * OPERATE TIME 50 MILLISECONDS
- * RELEASE TIME 80 MILLISECONDS
- * RATINGS:
 CONTACTS: 30 AMPS @ 600 VAC RES.
- * TEMPERATURE RANGE -35° TO +85° C
- * COIL TERMINALS #6 BINDING HEAD SCREWS TORQUE TO 7 IN-LB
- * LOAD TERMINALS #6 BINDING HEAD SCREWS
- * 3 POLE / SINGLE THROW
- * MAGNETICALLY ACTIVATED
- * MERCURY CONTACTOR
- COIL: 24 V.D.C.
 CURRENT: 329 mA
 RESISTANCE: 73 Ω
 VA: 7.9 WATTAGE: 7.9

* LIFE CYCLE ENDURANCE TESTS: U.L. 508 @ 100,00 & CSA 22.2 @ 250,000 CYCLES

Contactors - Relays - Switches

<http://www.mrocrib.com>