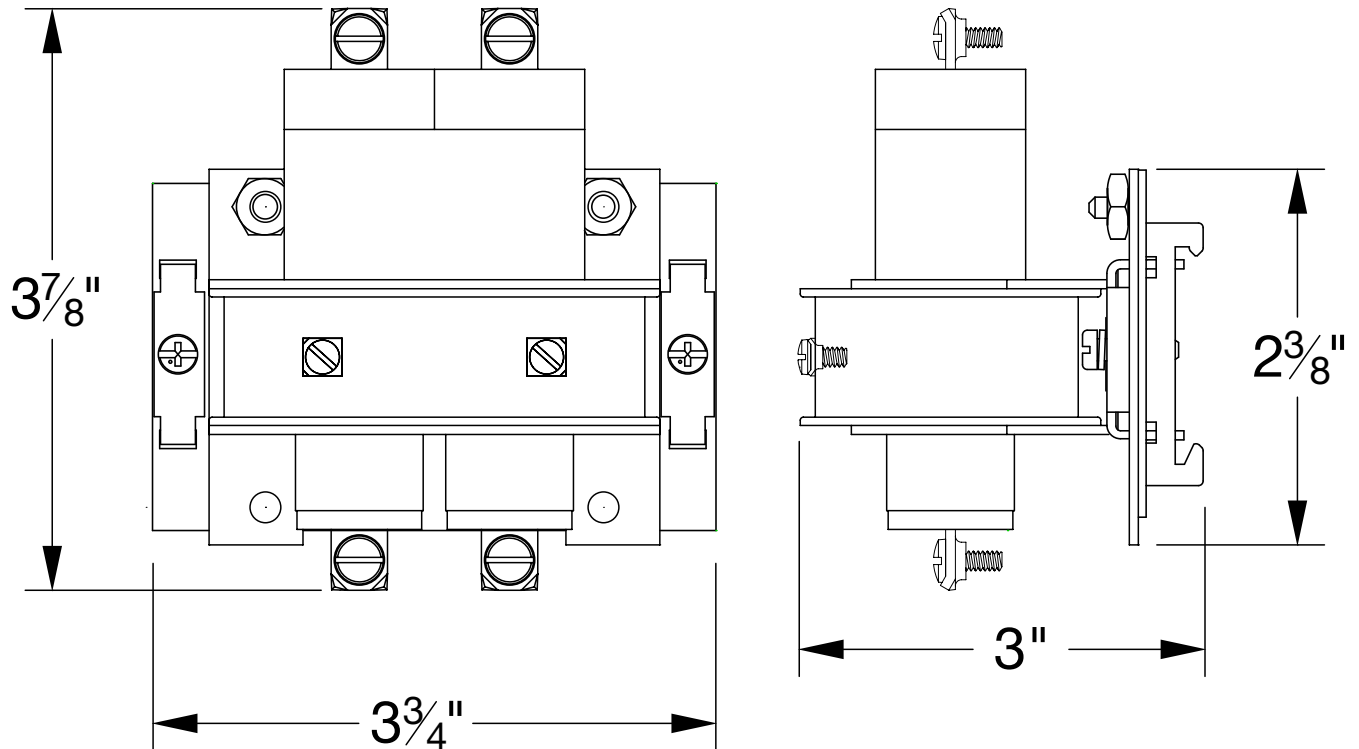




MERCURY DISPLACEMENT INDUSTRIES, INC.
INDUSTRIAL & ELECTRIC SUPPLY CO.
Phone (956) 541-3743 - Fax (956) 541-2106
(800) 880-3743

 E62767  LR 41198
CERTIFIED
INDUSTRIAL CONTROL EQUIPMENT

230NO-24D-17



- * CONTACT RESISTANCE .003 ohms
 - * DIELECTRIC WITHSTAND 2,500 VAC RMS
 - * OPERATE TIME 50 MILLISECONDS
 - * RELEASE TIME 80 MILLISECONDS
 - * RATINGS:
 - CONTACTS: 30 AMP @ 600 VAC
RESISTIVE
 - COIL: 24 V.D.C.
 - CURRENT: 1488 mA
 - RESISTANCE: 131 Ω
 - VA: 4.5 WATTAGE: 4.5
 - * TEMPERATURE RANGE -35° TO +85° C
 - * COIL TERMINALS #6 BINDING HEAD SCREWS
TORQUE TO 7 IN-LB
 - * LOAD TERMINALS 8-32 WIRE BINDING SCREWS
 - * TWO POLE / SINGLE THROW
 - * MAGNETICALLY ACTIVATED
 - * MERCURY CONTACTOR
- * LIFE CYCLE ENDURANCE TESTS: U.L. 508 @ 100,00 & CSA 22.2 @ 250,000 CYCLES

Contactors - Relays - Switches

08-08-2012 J.J.S.

<http://www.mrocrib.com>