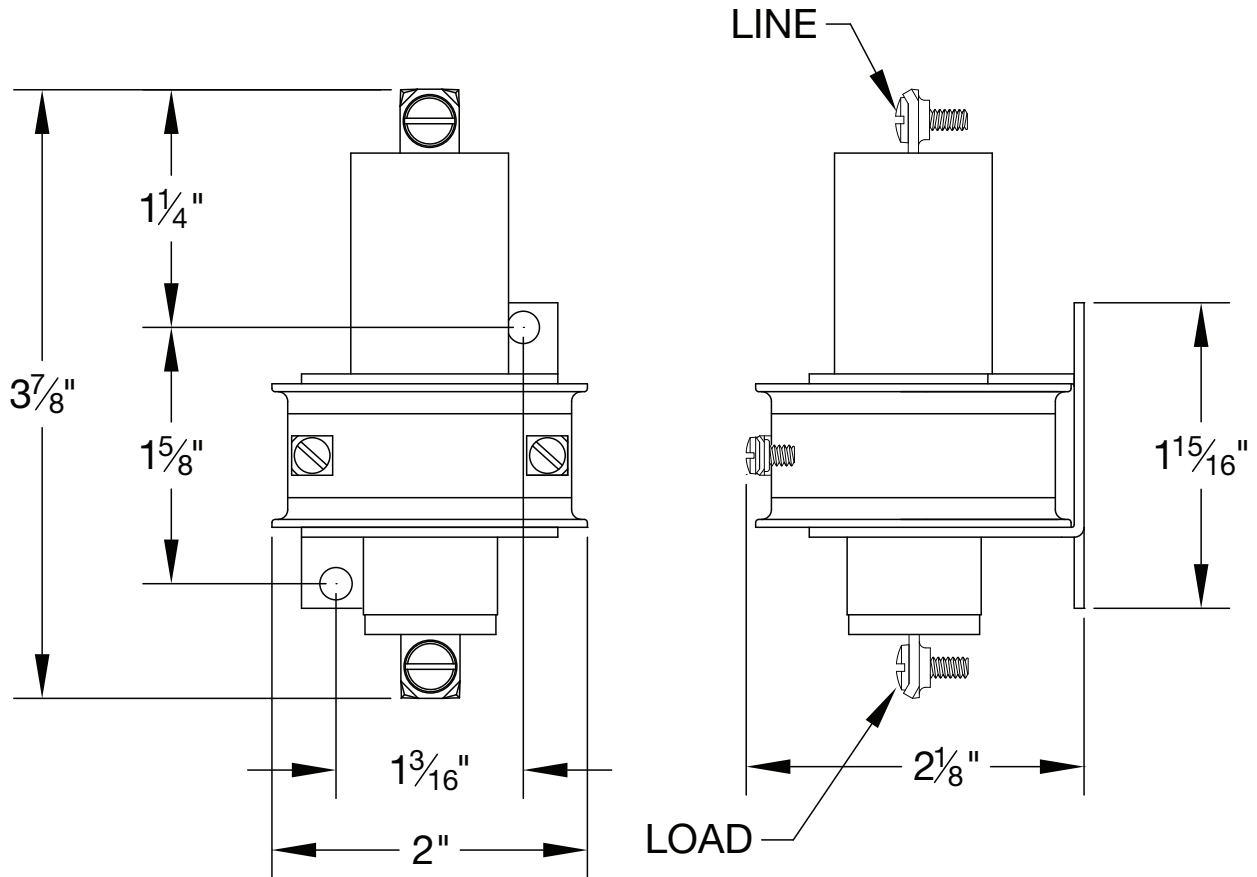




MERCURY DISPLACEMENT INDUSTRIES, INC.
 INDUSTRIAL & ELECTRIC SUPPLY CO.
 Phone (956) 541-3743 - Fax (956) 541-2106
 (800) 880-3743

30NO-24D



- * CONTACT RESISTANCE .003 ohms
- * DIELECTRIC WITHSTAND 2,500 VAC RMS
- * OPERATE TIME 50 MILLISECONDS
- * RELEASE TIME 80 MILLISECONDS

* RATINGS:
 CONTACTS: 30 AMP @ 600 VAC
 RESISTIVE
 COIL: 24 V.D.C.
 CURRENT: 133mA
 RESISTANCE: 180 Ω
 VA: 3.2 WATTAGE: 3.2

- * TEMPERATURE RANGE -35° TO +85° C
- * COIL TERMINALS 1/4" QUICK CONNECT
- * LOAD TERMINALS 4-14 A.W.G. COMPRESSION TYPE TORQUE TO 31.5 IN-LB
- * SINGLE POLE / SINGLE THROW
- * MAGNETICALLY ACTIVATED
- * MERCURY CONTACTOR



INDUSTRIAL CONTROL EQUIPMENT

* LIFE CYCLE ENDURANCE TESTS: U.L. 508 @ 100,00 & CSA 22.2 @ 250,000 CYCLES

Contactors - Relays - Switches