



15301948
Edition 1
March 2009

Filter Assembly

3000 Series



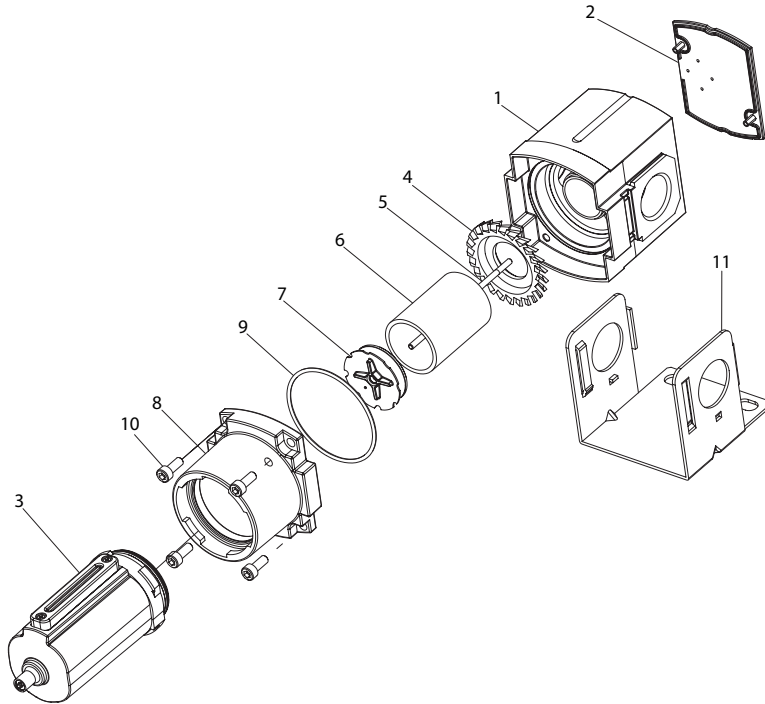
Parts Information



Save These Instructions



Filter Assembly 3000 Series F354XX-XXX Exploded Diagram

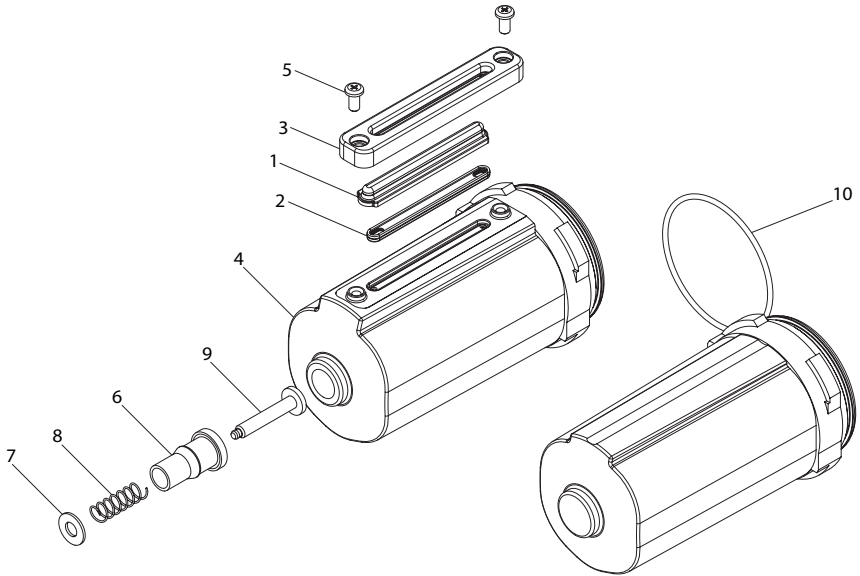


(Dwg. 15321987)

Filter Assembly 3000 Series F354XX-XXX Parts List

Item	Part Description	Material	Part Number
1	Filter Body	Aluminum	---
	3/4" NPT (F3545X-XXX)		---
	1" NPT (F3546X-XXX)		---
	3/4" BSP (F354EX-XXX)		---
2	Upper Cover (F)	Nylon	---
3	Metal Bowl Assembly		
	Manual Drain w/o Sight Glass (F354XX-X20)	---	104322
	Auto Drain w/o Sight Glass (F354XX-X21)	---	104323
	Manual Drain with Sight Glass (F354XX-X10)	---	104450
	Auto Drain with Sight Glass (F354XX-X11)	---	104451
	Manual Drain with Sight Glass Coalescing (F354XX-310)	---	104461
4	Deflector	Nylon	---
5	Baffle Shaft	Brass	---
6	Filter Element	Polyethylene	---
	5 Micron (F354XX-4XX)		104445
	40 Micron (N/A)		104446
	0.3 Micron (F354XX-3XX)		104447
7	Baffle	ABS	---
8	Coupler	Aluminum	---
9	Coupler "O" Ring	Nitrile	---
10	Coupler Screw		---
11	C-Bracket	Steel	---
			104410

Metal Bowl Assembly 3000 Series F354XX-XXX Exploded Diagram



(Dwg. 15322035)

Metal Bowl Assembly 3000 Series F354XX-XXX Parts List

Item	Part Description	Material	Part Number
1	Sight Glass (F354XX-X2X)	Nylon	---
2	Sight Glass Gasket (F354XX-X2X)	Nitrile	---
3	Sight Cover (F354XX-X2X)	Aluminum	---
4	Metal Bowl		---
5	Bolt (F354XX-X2X)	Steel	---
6	Drain Housing (F354XX-XX0)	Nitrile	104316
7	Retainer (F354XX-XX0)	Stainless Steel	
8	Drain Spring (F354XX-XX0)		
9	Drain Stem (F354XX-XX0)	Brass	
10	Bowl "O" Ring	Nitrile	---
	Auto Drain (F354XX-XX1)	---	104315
	Service Kit (Includes Items 6,7, 8, 9, 10 and Coupler O-Ring)	---	104452

Parts and Maintenance

When the life of the tool has expired, it is recommended that the tool be disassembled, degreased and parts be separated by material so that they can be recycled.

Tool repair and maintenance should only be carried out by an authorized Service Center.

Refer all communications to the nearest **Ingersoll Rand** Office or Distributor.

Related Documentation

For additional information refer to:

Product Safety Information Manual 15301765.

Product Information Manual 15301773.

Product Maintenance Information Manual 15301781.

Manuals can be downloaded from fluids.ingersollrand.com.