



15301849
Edition 1
March 2009

Filter Assembly

1500 Series



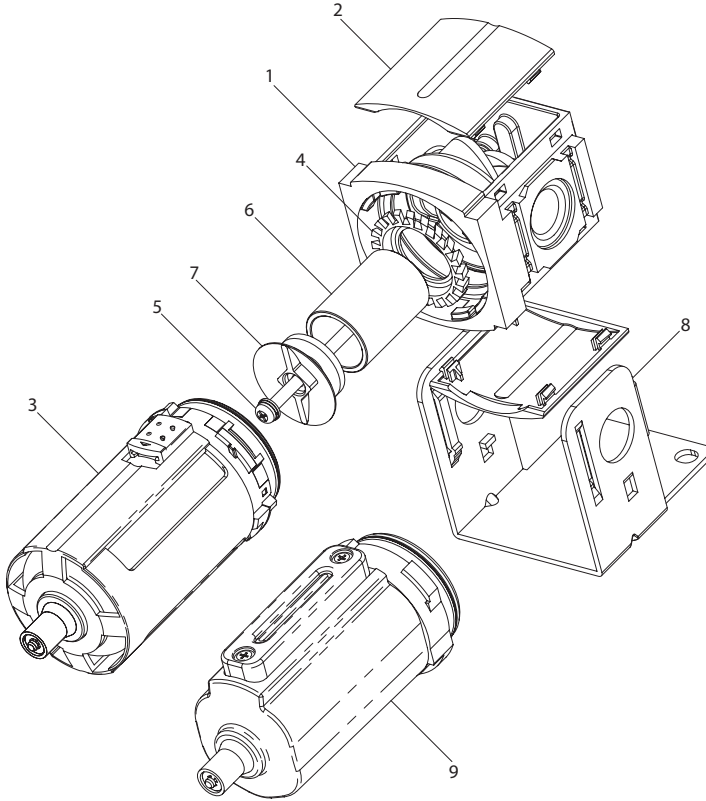
Parts Information



Save These Instructions



Filter Assembly 1500 Series F352X1-XXX Exploded Diagram

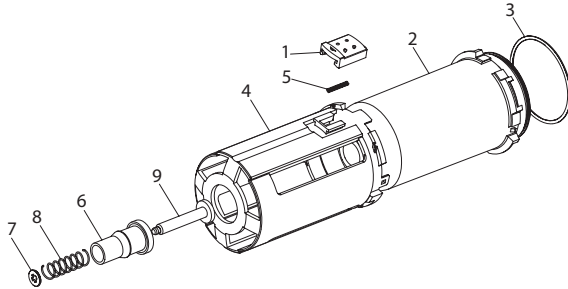


(Dwg. 15321912)

Filter Assembly 1500 Series F352X1-XXX Parts List

Item	Part Description	Material	Part Number
1	Filter Body	Aluminum	---
	1/4" NPT (F35221-XXX)		---
	3/8" NPT (F35231-XXX)		---
	1/4" BSP (F352B1-XXX)		---
	3/8" BSP (F352C1-XXX)		---
2	Upper Cover (F)	Nylon	---
3	Poly Bowl	Polycarbonate	---
4	Deflector	Acetal	---
5	Baffle Screw	Stainless Steel	---
6	Filter Element	Polyethylene	---
	5 Micron (F352XX-4XX)		104422
	40 Micron (N/A)		104423
	0.3 Micron (F352XX-3XX)		104424
7	Baffle	Acetal	---
8	C-Bracket	Steel	104408
9	Metal Bowl	---	---

Poly Bowl Assembly 1500 Series F352X1-XXX Exploded Diagram



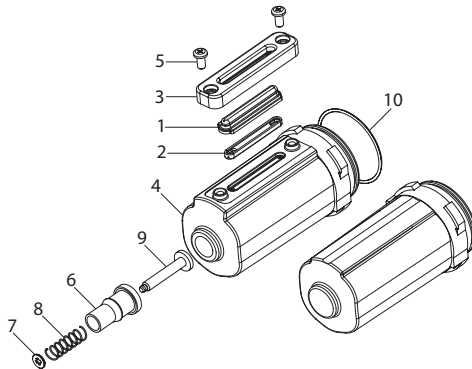
(Dwg. 15321961)

Poly Bowl Assembly 1500 Series F352X1-XXX Parts List

Item	Part Description	Material	Part Number	Item	Part Description	Material	Part Number
1	Lock Button	Nylon	---	5	Lock Spring Button	Stainless Steel	---
2	Poly Bowl (Includes Items 1, 3, 4, 5 and Drain)	Polycarbonate	---	6	Drain Housing (Manual Drain) (F352XX-XX0)	Nitrile	104421
				7	Stopper (Manual Drain) (F352XX-XX0)	Stainless Steel	
				8	Drain Spring (Manual Drain) (F352XX-XX0)	Stainless Steel	
3	Bowl "O" Ring	Nitrile	104429 *	9	Drain Stem (Manual Drain) (F352XX-XX0)	Brass	104420
4	Bowl Guard	Nylon	---		Auto Drain (F352XX-XX1)	---	104420

* Kit 104429 includes Manual Drain.

Metal Bowl Assembly 1500 Series F352X1-XXX Exploded Diagram



(Dwg. 15321979)

Metal Bowl Assembly 1500 Series F352X1-XXX Parts List

Item	Part Description	Material	Part Number	Item	Part Description	Material	Part Number
1	Sight Glass	Nylon	---	6	Drain Housing (Manual Drain) (F352XX-XX0)	Nitrile	104421
2	Sight Glass Gasket	Nitrile	---	7	Retainer (Manual Drain) (F352XX-XX0)	Stainless Steel	
3	Plate Cover	Aluminum	---	8	Drain Spring (Manual Drain) (F352XX-XX0)		
4	Metal Bowl (Includes Item 10 and Drain) (Sight Glass Styles includes Items 1, 2, 3, 5)	Aluminum	104427	9	Drain Stem (Manual Drain) (F352XX-XX0)	Brass	
			104481		10		
			104428				
			104482				
5	Bolt	Steel	---		Auto Drain (F352XX-XX1)	---	104420

* Kit 104429 includes Manual Drain.

Parts and Maintenance

When the life of the tool has expired, it is recommended that the tool be disassembled, degreased and parts be separated by material so that they can be recycled.

Tool repair and maintenance should only be carried out by an authorized Service Center.

Refer all communications to the nearest **Ingersoll Rand** Office or Distributor.

Related Documentation

For additional information refer to:

Product Safety Information Manual 15301765.

Product Information Manual 15301773.

Maintenance Information Manual 15301781.

Manuals can be downloaded from fluids.ingersollrand.com.

Part No. 100400-61

fluids.ingersollrand.com

© 2009 **Ingersoll Rand** Company

