

AJT Time-delay/Class J

SmartSpot® with maximum circuit protection

Amp-Trap 2000® SmartSpot AJT fuses now provide a visual open fuse indicator. With advanced material technology the AJT fuse provides IEC Type 2 No Damage protection to main, feeder, and branch circuits, for all types of loads — yet, they require only half the mounting space needed for 600VAC Class RK fuses. AJT's time-delay characteristics are ideal for handling typical motor and transformer inrush currents, while also providing superior current-limiting ability.

Features/Benefits:

- Solid state SmartSpot visual blown fuse indicator
- Time-delay for motor starting and transformer inrush
- 300kA interrupting rating - self-certified, UL witnessed tests
- Extremely current-limiting for low peak let-thru current
- Most current-limiting UL class fuse
- Recommended for Arc Flash energy reduction
- Small footprint requires less mounting space and allows smaller, more economical fuse blocks
- Easy 2-to-1 selectivity for prevention of nuisance shutdowns
- Unique Class J dimensions prevent replacement errors
- High-visibility orange label gives instant brand recognition
- Metal-embossed date and catalog number for traceability and lasting identification
- Fiberglass body provides dimensional stability in harsh industrial settings
- High-grade silica filler ensures fast arc quenching
- Optional EI indicator/switch mount for AJT70 to 600 open fuse indication

Highlights:

- SmartSpot indicator
- Time-delay
- Highly current-limiting
- Arc Flash mitigating
- DC ratings
- Optional mechanical indicator (70 to 600A fuses)

Applications:

- Motor circuits
- Mains
- Feeders
- Branch circuits
- Lighting, heating & general loads
- Transformers
- Control panels
- Circuit breaker back-up
- Bus duct
- Load centers

Note: See motor fuse applications tables on page P7



Ratings:

Volts : 600VAC or less
: 500VDC or less

Amps : 1 to 600A

IR : 200kA I.R. AC
: 100kA I.R. DC

(Self-certified for 600VAC, 300kA I.R., UL witnessed).

Approvals:

AJT (1-600):

- UL listed to standard 248-8 File E2137
- DC listed to UL standard 248
- CSA certified to standard C22.2 No. 248.8
- IEC 269-2-1

AJT (70-600) EI:

- UL listed
- DC tested to UL standard 248



AJT Time-delay/Class J

Catalog Numbers (amps)

AJT1	AJT4-1/2	AJT25	AJT125
AJT1-1/4	AJT5	AJT30	AJT150
AJT1-1/2	AJT5-6/10	AJT35	AJT175
AJT1-6/10	AJT6	AJT40	AJT200
AJT1-8/10	AJT6-1/4	AJT45	AJT225
AJT2	AJT7	AJT50	AJT250
AJT2-1/4	AJT8	AJT60	AJT300
AJT2-1/2	AJT9	AJT70	AJT350
AJT2-8/10	AJT10	AJT80	AJT400
AJT3	AJT12	AJT90	AJT450
AJT3-2/10	AJT15	AJT100	AJT500
AJT3-1/2	AJT17-1/2	AJT110	AJT600
AJT4	AJT20		

Note: SmartSpot visual indicator is not available (1-7A)

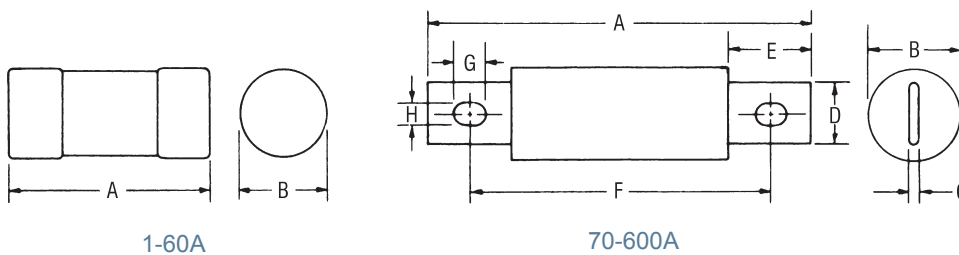
Recommended Fuse Blocks With Box Connectors for Amp-Trap® Class J Fuses

Fuse Ampere Rating	Catalog Number 600V or Less	
	1 Pole	3 Pole
0-30	US3J1I	US3J3I
31-60	US6J1I	US6J3I
61-100	61036J	61038J
101-200	62001J	62003J
201-400	64031J	64033J
401-600	6631J	6633J

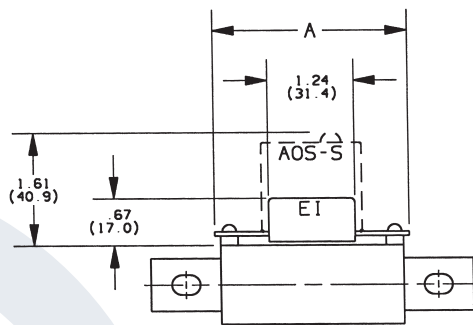
A variety of pole configurations and termination provisions are available, see section H.

Dimensions

Ampere Rating	A		B		C		D		E		F		G		H	
	in	mm	in	mm	in	mm	in	mm	in	mm	in	mm	in	mm	in	mm
1-30	2-1/4	57	13/16	21	-	-	-	-	-	-	-	-	-	-	-	-
31-60	2-3/8	60	1-1/16	27	-	-	-	-	-	-	-	-	-	-	-	-
61-100	4-5/8	117	1-1/16	27	1/8	3.2	3/4	19	1	25	3-5/8	92	3/8	10	9/32	7
101-200	5-3/4	146	1-5/8	41	3/16	4.8	1-1/8	29	1-3/8	35	4-3/8	111	3/8	10	9/32	7
201-400	7-1/8	181	2-1/8	54	1/4	6.3	1-5/8	41	1-7/8	48	5-1/4	133	17/32	14	13/32	10
401-600	8	203	2-1/2	64	3/8	9.5	2	51	2-1/8	54	6	152	11/16	18	17/32	13



Optional Indicator/Microswitch Mount (EI) Dimensions:



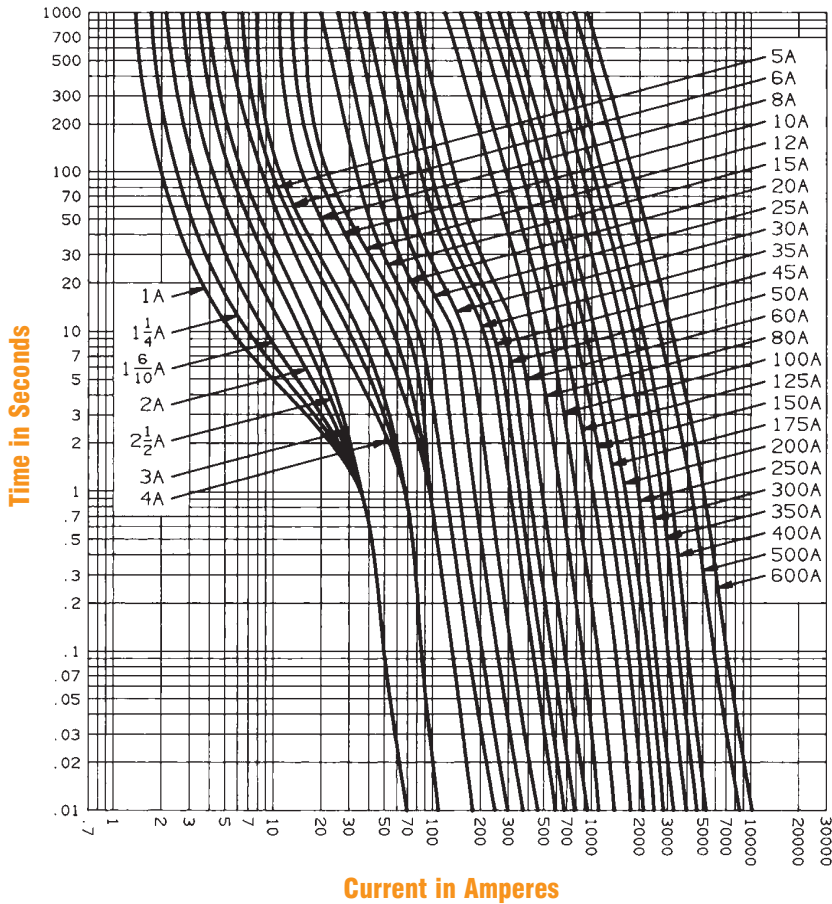
Note: Fuses with the EI option are designed to work with the AOS-S or AOS-Q add-on switch, which is ordered separately. See page J6 for details.

Catalog Number	A
AJT (70-100)-EI	2.8 (71.0)
AJT (110-200)-EI	3.22 (81.8)
AJT (225-400)-EI	3.24 (82.2)
AJT (450-600)-EI	3.61 (91.8)

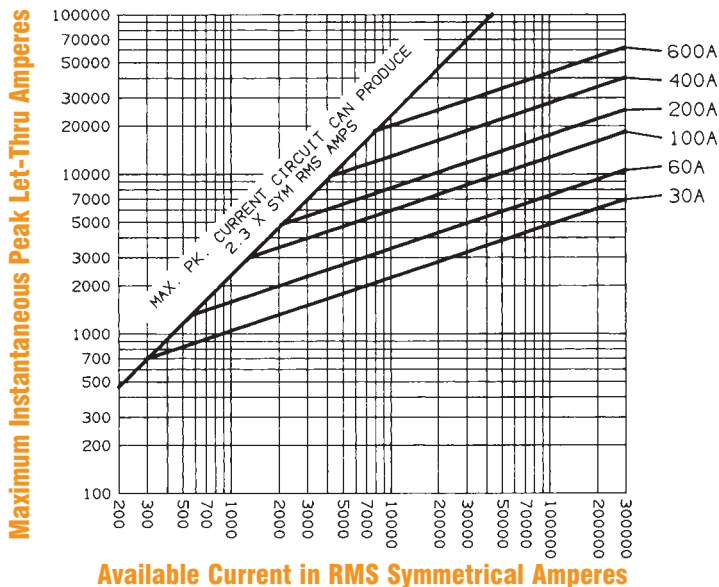
TIME DELAY/CLASS J FUSES

AJT

Melting Time – Current Data, 600V Fuses – AJT1 to 600



Peak Let-Thru Current Data – AJT30 to 600, 600 Volts AC



Note: See Motor Fuse Application Tables on page L9.